

Product Features

- High tin low calcium alloy grids designed to resist corrosion;;
- Patent multi-layer polarity sealing structure, safety and reliable leakage-proof performance
- Patent composite grid structure and plate of high humidity and high temperature curing process which prolong life;
- High purity row and auxiliary materials, low self discharge

Application

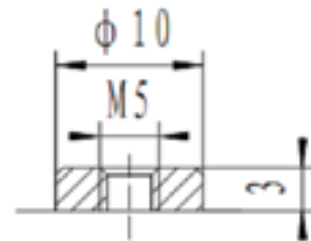
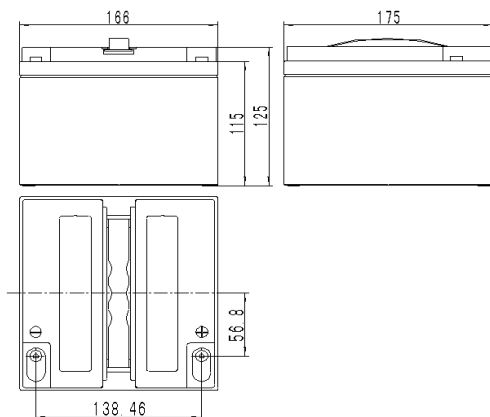
- UPS/EPS
- Emergency lighting
- Communication equipment;
- Renewable Energy
- Power tool
- Universal

Compliant Standards

- GB/T 19639.1-2005;
- IEC 61056-1/2: 2002
- JIS C8702-1/2: 2009;
- Passed ISO9001、ISO14001、OHSAS18001、UL and CE certificates
- Eurobat guide;

Safety

- installation compliant with:EN50272-2


SP12-20

Battery Model	SPU12-26			
Designed Life	10 Years			
Capacity(25°C)	20HR(1.4A,1.75V)	10HR(2.6A,1.75V)	5HR(4.7A,1.75V)	1HR(16.22A,1.70V)
	28AH	26AH	23.5AH	16.2AH
Dimensions	Length	Width	Height	Total Height
	166mm	175mm	125mm	125mm
Approx. Weight	8.0kg			
Internal Resistance	12m Ω			
Short Circuit Current	670A			
Self Discharge	≤3% per months (25°C)			
Charge Voltage(25°C)	Cycle use		Float use	
	14.7V(-18mV/°C), max charge current:7.8A		14.1V(-18mV/°C)	

Discharge parameter:

Constant current discharge data (25°C, A)													
End voltage (V/cell)	5min	10min	15min	20min	30min	45min	1h	1.5h	2h	3h	5h	10h	20h
1.60	98.76	60.24	49.04	40.27	28.73	20.11	16.31	11.74	9.498	7.059	4.728	2.611	1.403
1.65	95.81	59.94	48.92	40.00	28.54	19.98	16.25	11.68	9.441	7.021	4.711	2.605	1.402
1.70	92.95	58.44	47.82	39.47	28.35	19.84	16.22	11.66	9.425	7.018	4.710	2.605	1.402
1.75	84.24	56.94	46.80	39.00	28.08	19.69	16.12	11.61	9.404	7.003	4.701	2.600	1.400
1.80	75.14	52.44	43.66	36.93	26.88	19.28	15.82	11.43	9.264	6.913	4.649	2.577	1.391

Constant power discharge data (25°C, W)													
End voltage (V/cell)	5min	10min	15min	20min	30min	45min	1h	1.5h	2h	3h	5h	10h	20h
1.60	180.6	114.3	93.18	76.78	55.31	39.39	32.03	23.09	18.71	13.94	9.378	5.186	2.835
1.65	175.7	113.9	93.11	76.67	55.17	39.23	31.96	23.02	18.65	13.92	9.359	5.184	2.861
1.70	171.1	111.2	91.17	75.93	55.05	38.99	31.96	23.04	18.69	13.94	9.373	5.202	2.877
1.75	156.0	108.7	89.70	75.40	54.76	38.74	31.84	23.03	18.68	13.95	9.373	5.201	2.881
1.80	140.4	100.6	84.42	72.02	52.63	38.00	31.37	22.74	18.47	13.82	9.336	5.225	2.900

Performance Curve:
