

**Product Features**

- Patent composite grid structure, a smaller plate spacing design which provide high current discharge performance and high power output;
- Special active material structure technology, benefit for electrolyte rapid move;
- Optimization for positive and negative active material ratio, battery has high power ratio
- Patent multi-layer polarity sealing structure, safety and reliable leakage-proof

**Application**

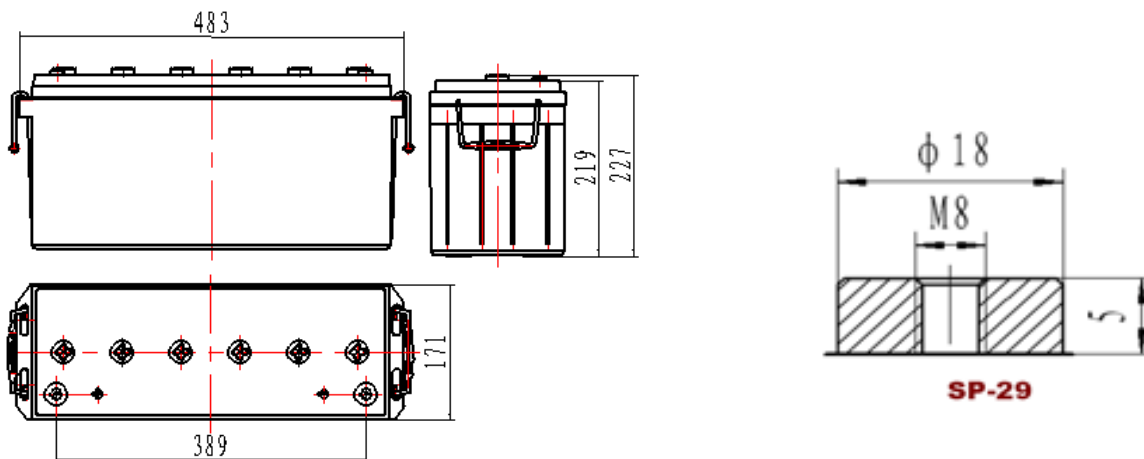
- UPS/EPS
- Power station
- Emergency Lighting
- Universal

**Compliant Standards**

- GB/T 19639.1-2005;
- IEC 61056-1/2: 2002
- JIS C8702-1/2: 2009;
- Passed ISO9001、ISO14001、OHSAS18001、UL and CE certificates
- Eurobat guide;

**Safety**

- installation compliant with:EN50272-2



Battery Model	SPG12650W			
Designed Life	10 Years			
Capacity(25°C)	20HR(8.0A,1.80V)	10HR(15A,1.80V)	5HR(25A,1.75V)	1HR(96.5A,1.70V)
	160AH	150AH	125AH	96.5AH
Dimensions	Length	Width	Height	Total Height
	483mm	171mm	219mm	227mm
Approx. Weight	45.7kg			
Internal Resistance	2.9mΩ			
Max Discharge Current	1500A(5 Sec.)			
Self Discharge	≤2% per months (25°C)			
Charge Voltage(25°C)	Cycle use		Float use	
	14.7V(-24mV/°C), max charge current:45A		13.62V(-18mV/°C)	

**Discharge parameter:**

Constant current discharge data (25°C, A)													
End voltage (V/cell)	5min	10min	15min	20min	30min	45min	1h	1.5h	2h	3h	5h	10h	20h
1.60	495.0	378.2	307.8	251.0	200.0	145.5	110.0	77.00	61.73	46.59	28.50	16.79	8.800
1.65	465.6	354.8	291.1	237.0	190.0	137.5	105.0	73.00	59.00	45.03	27.20	16.31	8.600
1.70	437.3	334.6	274.6	224.0	180.5	130.0	96.50	69.50	56.00	43.50	26.00	15.92	8.400
1.75	413.3	312.5	260.0	211.5	170.4	122.5	93.00	66.00	53.50	42.00	25.00	15.53	8.200
1.80	390.0	288.7	247.5	200.0	162.0	116.5	89.00	62.50	51.00	40.57	24.00	15.00	8.000

Constant power discharge data (25°C, W/cell)													
End voltage (V/cell)	5min	10min	15min	20min	30min	45min	1h	1.5h	2h	3h	5h	10h	20h
1.60	840.0	650.0	544.2	445.5	370.0	260.0	205.0	145.5	120.0	85.90	61.00	27.00	13.60
1.65	791.6	628.5	525.0	427.7	355.2	252.2	200.0	141.0	116.5	83.60	59.20	26.50	13.30
1.70	757.5	604.7	503.2	410.5	340.9	244.5	196.0	136.5	113.0	81.50	58.20	26.00	13.00
1.75	729.9	570.4	481.8	394.0	327.5	237.2	190.0	132.5	109.5	79.70	57.20	25.50	12.70
1.80	700.0	531.4	463.6	378.4	314.2	230.0	185.0	128.5	106.3	77.50	55.90	25.00	12.50

**Performance Curve:**
