

Product Features

- Patent composite grid structure, a smaller plate spacing design which provide high current discharge performance and high power output;
- Special active material structure technology, benefit for electrolyte rapid move;
- Optimization for positive and negative active material ratio, battery has high power ratio
- Patent multi-layer polarity sealing structure, safety and reliable leakage-proof

Application

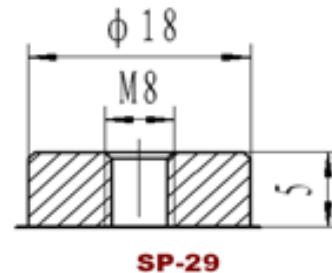
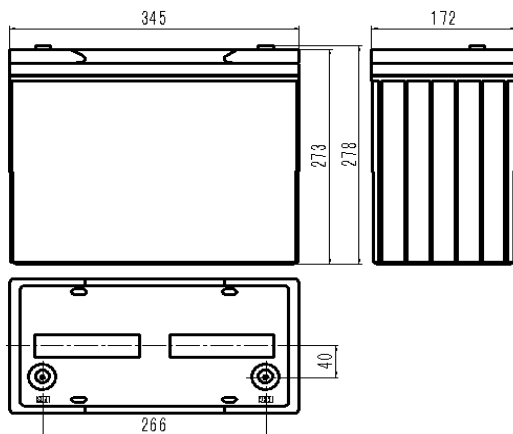
- UPS/EPS
- Power station
- Emergency Lighting
- Universal

Compliant Standards

- GB/T 19639.1-2005;
- IEC 61056-1/2: 2002
- JIS C8702-1/2: 2009;
- Passed ISO9001、ISO14001、OHSAS18001、UL and CE certificates
- Eurobat guide;

Safety

- installation compliant with:EN50272-2



| | | | | |
|-----------------------|---|-------------------|------------------|------------------|
| Battery Model | SPG12620W | | | |
| Designed Life | 10 Years | | | |
| Capacity(25°C) | 20HR(7.4A,1.80V) | 10HR(13.5A,1.80V) | 5HR(22.4A,1.75V) | 1HR(87.7A,1.70V) |
| | 148AH | 135AH | 112AH | 87.7AH |
| Dimensions | Length | Width | Height | Total Height |
| | 345mm | 172mm | 273mm | 278mm |
| Approx. Weight | 41.7kg | | | |
| Internal Resistance | 3.6m Ω | | | |
| Max Discharge Current | 1350A(5 Sec.) | | | |
| Self Discharge | ≤2% per months (25°C) | | | |
| Charge Voltage(25°C) | Cycle use | | Float use | |
| | 14.7V(-24mV/°C), max charge current:40.5A | | 13.62V(-18mV/°C) | |

Discharge parameter:

| Constant current discharge data (25°C, A) | | | | | | | | | | | | | |
|---|-------|-------|-------|-------|-------|-------|-------|-------|-------|-------|-------|-------|-------|
| End voltage (V/cell) | 5min | 10min | 15min | 20min | 30min | 45min | 1h | 1.5h | 2h | 3h | 5h | 10h | 20h |
| 1.60 | 440.0 | 337.0 | 282.2 | 233.0 | 185.0 | 135.0 | 98.25 | 72.00 | 57.70 | 42.50 | 25.50 | 15.50 | 8.000 |
| 1.65 | 410.3 | 317.1 | 268.3 | 224.4 | 176.8 | 127.5 | 92.79 | 68.10 | 55.50 | 40.50 | 24.50 | 14.80 | 7.860 |
| 1.70 | 384.2 | 296.8 | 254.4 | 217.0 | 168.5 | 120.5 | 87.70 | 64.70 | 53.40 | 39.00 | 23.50 | 14.30 | 7.700 |
| 1.75 | 359.3 | 277.2 | 242.5 | 209.0 | 159.5 | 114.0 | 82.97 | 61.70 | 51.00 | 37.50 | 22.40 | 13.80 | 7.550 |
| 1.80 | 332.7 | 259.3 | 230.5 | 198.5 | 151.5 | 109.0 | 79.33 | 57.70 | 49.50 | 35.90 | 21.10 | 13.50 | 7.400 |

| Constant power discharge data (25°C, W/cell) | | | | | | | | | | | | | |
|--|-------|-------|-------|-------|-------|-------|-------|-------|-------|-------|-------|-------|-------|
| End voltage (V/cell) | 5min | 10min | 15min | 20min | 30min | 45min | 1h | 1.5h | 2h | 3h | 5h | 10h | 20h |
| 1.60 | 740.0 | 620.0 | 490.0 | 392.0 | 316.7 | 235.0 | 188.0 | 133.0 | 106.6 | 80.50 | 54.00 | 31.20 | 16.50 |
| 1.65 | 700.6 | 590.5 | 470.0 | 376.2 | 306.2 | 227.9 | 182.4 | 129.5 | 104.0 | 78.50 | 52.50 | 30.50 | 16.20 |
| 1.70 | 674.7 | 563.4 | 451.5 | 361.2 | 296.1 | 221.3 | 176.9 | 125.5 | 101.0 | 76.50 | 51.50 | 30.00 | 16.00 |
| 1.75 | 642.0 | 534.6 | 433.5 | 346.7 | 285.3 | 214.4 | 171.5 | 121.5 | 98.00 | 74.50 | 50.00 | 29.50 | 15.70 |
| 1.80 | 612.8 | 509.3 | 416.2 | 332.9 | 276.0 | 208.0 | 166.5 | 118.0 | 95.00 | 72.50 | 48.50 | 28.50 | 15.50 |

Performance Curve:
