

Product Features

- Patent composite grid structure, a smaller plate spacing design which provide high current discharge performance and high power output;
- Special active material structure technology, benefit for electrolyte rapid move;
- Optimization for positive and negative active material ratio, battery has high power ratio
- Patent multi-layer polarity sealing structure, safety and reliable leakage-proof

Application

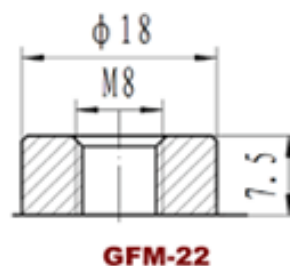
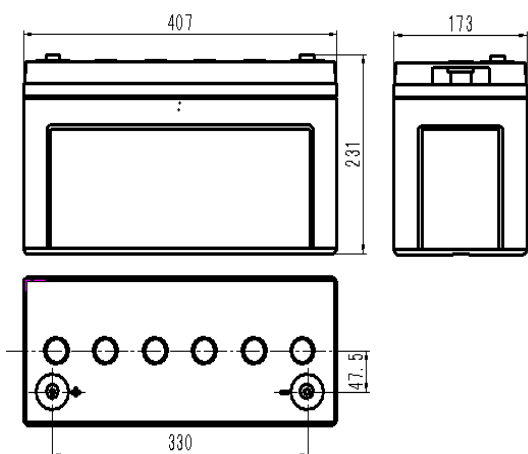
- UPS/EPS
- Power station
- Emergency Lighting
- Universal

Compliant Standards

- GB/T 19639.1-2005;
- IEC 61056-1/2: 2002
- JIS C8702-1/2: 2009;
- Passed ISO9001、ISO14001、OHSAS18001、UL and CE certificates
- Eurobat guide;

Safety

- installation compliant with:EN50272-2



Battery Model	SPG12535W			
Designed Life	10 Years			
Capacity(25°C)	20HR(6.5A,1.80V)	10HR(12A,1.80V)	5HR(20A,1.75V)	1HR(79A,1.70V)
	130AH	120AH	100AH	79AH
Dimensions	Length	Width	Height	Total Height
	407mm	173mm	222mm	231mm
Approx. Weight	37.2kg			
Internal Resistance	3.8m Ω			
Max Discharge Current	1300A(5 Sec.)			
Self Discharge	≤2% per months (25°C)			
Charge Voltage(25°C)	Cycle use		Float use	
	14.7V(-24mV/°C), max charge current:36A		13.62V(-18mV/°C)	

Discharge parameter:

Constant current discharge data (25°C, A)													
End voltage (V/cell)	5min	10min	15min	20min	30min	45min	1h	1.5h	2h	3h	5h	10h	20h
1.60	408.0	296.7	253.2	215.0	164.0	119.0	87.50	62.17	51.90	38.90	22.89	13.40	7.300
1.65	379.6	281.9	240.8	201.7	155.0	113.0	83.50	59.50	50.00	37.50	21.84	13.13	7.100
1.70	358.3	267.8	227.8	190.6	146.5	108.0	79.00	56.52	48.00	36.00	21.00	12.73	6.920
1.75	342.6	251.0	215.9	182.0	138.5	102.1	74.00	53.92	45.80	34.50	20.00	12.34	6.700
1.80	326.3	231.5	207.0	173.0	131.5	97.00	69.50	51.48	43.90	33.10	19.00	12.00	6.500

Constant power discharge data (25°C, W/cell)													
End voltage (V/cell)	5min	10min	15min	20min	30min	45min	1h	1.5h	2h	3h	5h	10h	20h
1.60	668.2	535.0	461.0	378.0	295.0	215.0	170.0	120.5	95.00	70.50	46.50	27.50	14.20
1.65	634.5	513.1	445.0	365.0	285.0	209.0	165.0	117.0	93.00	69.00	45.50	27.00	13.90
1.70	597.7	490.8	428.9	352.0	275.0	202.0	160.5	113.5	90.00	67.00	44.50	26.50	13.60
1.75	560.4	468.8	414.2	338.5	266.0	195.0	155.5	110.0	87.00	65.50	43.50	26.00	13.40
1.80	527.5	445.7	401.2	325.5	255.0	188.0	150.5	106.5	85.00	63.50	42.50	25.50	13.10

Performance Curve:
