

### Advantages

- Deep cycle for solar application
- Good large current discharge performance
- High gas recombination efficiency
- Maximum charge efficiency
- Low self-discharge rate
- Easy installation and handling

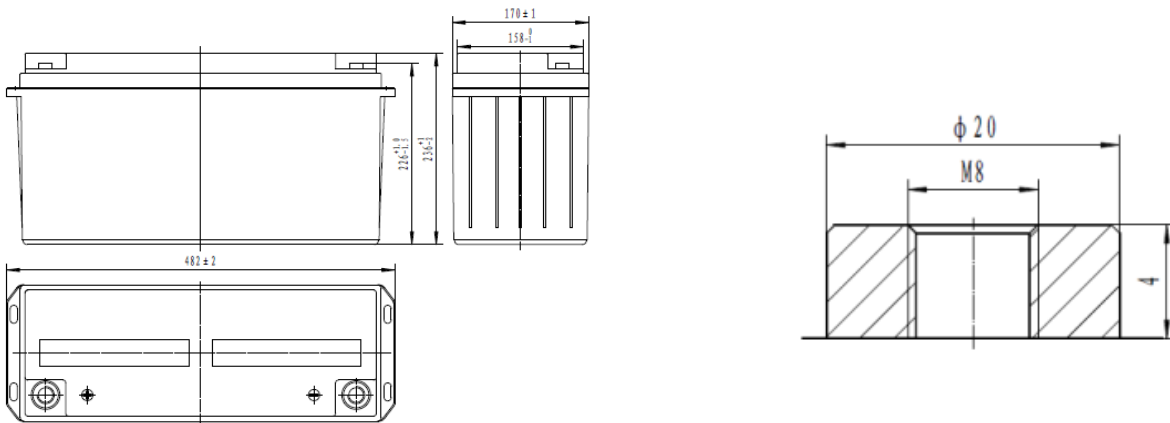
### Application

- Electrical Vehicle
- Renewable energy
- universal

### Standards

- IEC60896-21/22:2004
- IEC61427-2005
- Eurobat guide
- Installation compliant with EN50272-2

### Drawing



### Specification

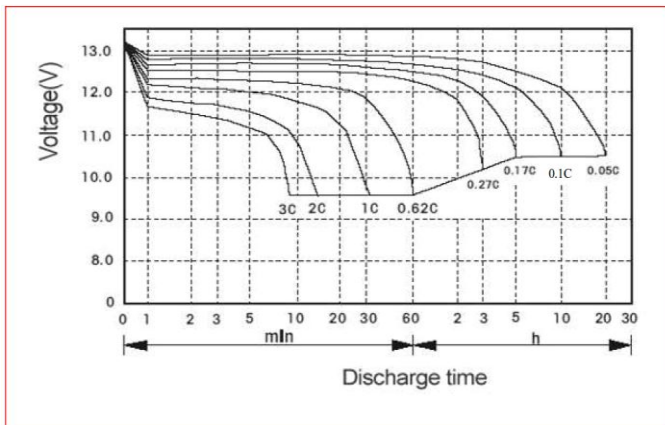
|                                       |  |                   |                |                |
|---------------------------------------|--|-------------------|----------------|----------------|
| Battery Model                         | SDC 12-170                             |                   |                |                |
| Design Life(year, 25°C)               | 10                                     |                   |                |                |
| Capacity (Ah, 25°C)                   | 20HR(8.65A,1.75V)                      | 10HR(17.0A,1.75V) | 5HR(33A,1.75V) | 3HR(50A,1.75V) |
|                                       | 173                                    | 170               | 165            | 150            |
| Dimensions (mm)                       | Length                                 | Width             | Height         | Total Height   |
|                                       | 482                                    | 170               | 236            | 236            |
| Approx. Weight (kg)                   | 52.0                                   |                   |                |                |
| Internal Resistance (mΩ)              | 3.8                                    |                   |                |                |
| Maximum Discharge Current (A/10 Sec.) | 1340                                   |                   |                |                |
| Self-Discharge (25°C)                 | ≤3% per months                         |                   |                |                |
| Charge Voltage(V, 25°C)               | Cycle use                              |                   | Float use      |                |
|                                       | 14.7(-18mV/°C), max charge current:25A |                   | 14.1(-18mV/°C) |                |

### Discharge Data

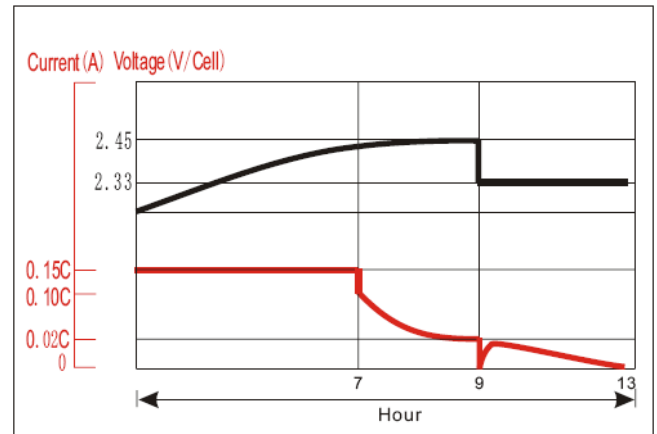
| Constant current discharge data (25°C , A) |       |       |       |       |       |       |       |       |       |       |      |
|--|-------|-------|-------|-------|-------|-------|-------|-------|-------|-------|------|
| End voltage (V/cell)                       | 10min | 20min | 30min | 45min | 60min | 90min | 2h    | 3h    | 5h    | 10h   | 20h  |
| 1.60                                       | 464.6 | 266.1 | 193.2 | 158.0 | 122.6 | 85.37 | 68.11 | 50.41 | 33.24 | 17.30 | 8.69 |
| 1.65                                       | 450.1 | 262.1 | 192.1 | 157.4 | 122.2 | 85.06 | 67.91 | 50.27 | 33.15 | 17.26 | 8.67 |
| 1.70                                       | 440.6 | 259.7 | 191.3 | 156.8 | 121.7 | 84.82 | 67.74 | 50.15 | 33.07 | 17.23 | 8.66 |
| 1.75                                       | 427.8 | 255.8 | 190.0 | 156.0 | 121.2 | 84.50 | 67.50 | 50    | 33.00 | 17.20 | 8.65 |

| Constant power discharge data (25°C , W/cell) |       |       |       |       |       |       |       |      |       |       |       |
|---|-------|-------|-------|-------|-------|-------|-------|------|-------|-------|-------|
| End voltage (V/cell)                          | 10min | 20min | 30min | 45min | 60min | 90min | 2h    | 3h   | 5h    | 10h   | 20h   |
| 1.60  | 816.2 | 479.1 | 355.0 | 294.8 | 232.0 | 163.6 | 131.9 | 98.8 | 65.73 | 34.42 | 17.34 |
| 1.65  | 805.1 | 479.3 | 357.4 | 297.0 | 233.2 | 164.0 | 132.3 | 99.0 | 65.79 | 34.42 | 17.34 |
| 1.70  | 799.3 | 480.5 | 359.7 | 299.1 | 234.4 | 164.8 | 132.9 | 99.3 | 65.91 | 34.48 | 17.37 |
| 1.75  | 786.8 | 479.3 | 361.3 | 300.4 | 235.5 | 165.6 | 133.5 | 99.6 | 66.00 | 34.50 | 17.40 |

### Performance Curve:



Discharge performance



Charge performance

Sacred Sun Power Sources Co., Ltd.

No.1 Shengyang Road, Qufu City, PRC

Website: [www.sacredsun.com](http://www.sacredsun.com)

Sacred Sun Asia Pacific

GF, 14<sup>th</sup> Floor, Xinbaohui Building, Nantai

Boulevard, Nanshan, Shenzhen, PRC.

Sacred Sun Europe SPRL

Paul Dejaerlaan 4b, B 1060 Brussel,

Belgium

