

Product Features

- Positive and negative plate thickness design, good corrosion resistance, long service life;
- Special AGM separator, adding gel electrolyte, shallow cycle life is long.
- Special negative paste formula, prevents negative plate sulfation, improve charge acceptance ability, improve charging and discharge performance.
- Patent waterproof terminal structure design, suitable for underground use.

Application

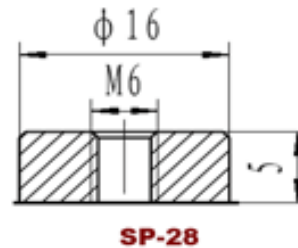
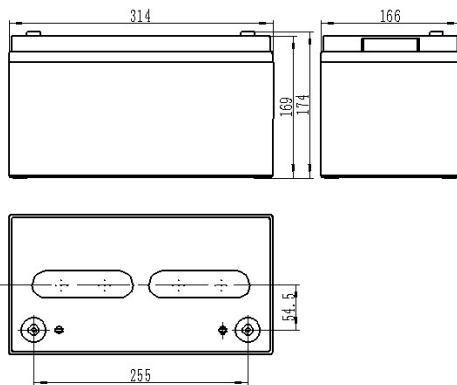
- New energy storage system;
- UPS
- Emergency lighting

Compliant Standards

- IEC 60896-12/22: 2004;
- DIN 43539-T5;
- YD/T 1360-2005;
- Passed ISO9001、ISO14001、OHSAS18001 certificates
- Eurobat guide;

Safety

- installation compliant with:EN50272-2



Battery Model	SAJ12-65			
Designed Life	10 Years			
Capacity(25°C)	20HR(3.25A,1.80V)	10HR(6.04A,1.80V)	5HR(11.05A,1.80V)	1HR(33.8A,1.80V)
	65AH	60.4AH	55.25AH	33.8AH
Dimensions	Length	Width	Height	Total Height
	314mm	166mm	169mm	174mm
Approx. Weight	20.5kg			
Internal Resistance	7.05mΩ			
Short Circuit Current	1638A			
Self Discharge	≤1.5% per months (25°C)			
Charge Voltage(25°C)	Cycle use		Float use	
	14.4V(-21mV/°C), max charge current:13A		13.5V(-21mV/°C)	

Discharge parameter:

Constant current discharge data (25°C, A)									
End voltage (V/cell)	1h	3h	5h	10h	20h	50h	100h	120h	240h
1.70	35.82	16.69	11.49	6.27	3.56	1.47	0.94	0.85	0.37
1.75	35.75	16.53	11.30	6.15	3.32	1.41	0.87	0.78	0.35
1.80	33.8	16.25	11.05	6.04	3.25	1.37	0.82	0.71	0.34
1.85	32.45	15.30	9.95	5.95	3.14	1.36	0.76	0.66	0.33
1.90	31.15	15.16	9.80	5.73	3.04	1.27	0.71	0.62	0.33

Constant power discharge data (25°C, W/cell)									
End voltage (V/cell)	1h	3h	5h	10h	20h	50h	100h	120h	240h
1.70	65.50	29.80	20.95	11.60	6.40	3.20	1.70	1.43	0.73
1.75	63.50	29.69	20.44	11.33	6.27	3.15	1.68	1.42	0.72
1.80	61.62	29.35	19.92	11.05	6.15	3.10	1.65	1.41	0.71
1.85	59.75	29.01	19.43	10.75	6.02	3.05	1.62	1.40	0.71
1.90	57.95	28.78	18.94	10.50	5.90	3.00	1.59	1.38	0.70

Performance Curve:
