

### Product Features

- Positive and negative plate thickness design, good corrosion resistance, long service life;
- Special AGM separator, adding gel electrolyte, shallow cycle life is long.
- Special negative paste formula, prevents negative plate sulfation, improve charge acceptance ability, improve charging and discharge performance.
- Patent waterproof terminal structure design, suitable for underground use.

### Application

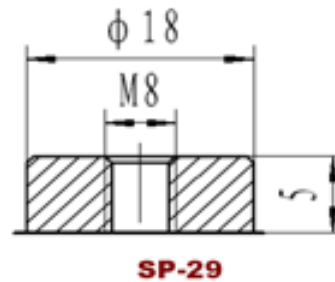
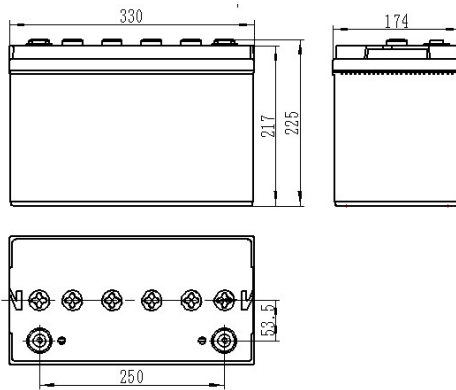
- New energy storage system;
- UPS
- Emergency lighting

### Compliant Standards

- IEC 60896-12/22: 2004;
- DIN 43539-T5;
- YD/T 1360-2005 ;
- Passed ISO9001、ISO14001、OHSAS18001 certificates
- Eurobat guide;

### Safety

- installation compliant with:EN50272-2



Battery Model	SAJ12-100			
Designed Life	10 Years			
Capacity(25°C)	20HR(5.0A,1.80V)	10HR(9.30A,1.80V)	5HR(17.0A,1.80V)	1HR(53.34A,1.80V)
	100AH	93.0AH	85.0AH	53.34AH
Dimensions	Length	Width	Height	Total Height
	330mm	174mm	216mm	225mm
Approx. Weight	29.8kg			
Internal Resistance	4.1m $\Omega$			
Short Circuit Current	3260A			
Self Discharge	$\leq 1.5\%$ per months (25°C)			
Charge Voltage(25°C)	Cycle use		Float use	
	14.4V(-21mV/°C), max charge current:20A		13.5V(-21mV/°C)	

**Discharge parameter:**

Constant current discharge data (25°C, A)									
End voltage (V/cell)	1h	3h	5h	10h	20h	50h	100h	120h	240h
1.70	55.70	26.4	17.70	9.55	5.28	2.20	1.20	0.93	0.55
1.75	55.0	25.7	17.30	9.43	5.15	2.16	1.17	0.93	0.55
1.80	53.34	25	17.0	9.30	5.0	2.13	1.14	0.92	0.53
1.85	49.70	23.9	15.65	8.85	4.85	2.1	1.12	0.91	0.53
1.90	47.20	23.2	15.04	8.56	4.75	2.05	1.10	0.91	0.52

Constant power discharge data (25°C, W/cell)									
End voltage (V/cell)	1h	3h	5h	10h	20h	50h	100h	120h	240h
1.70	100.00	45.10	32.00	18.10	9.80	4.10	2.35	2.02	1.03
1.75	97.00	44.88	31.40	17.70	9.60	3.92	2.27	1.95	1.01
1.80	94.00	44.15	30.50	17.20	9.50	3.89	2.19	1.89	0.98
1.85	91.00	43.75	29.50	16.50	9.30	3.79	2.07	1.81	0.92
1.90	88.50	42.97	29.00	16.30	9.10	3.72	2.00	1.73	0.89

**Performance Curve:**
