

Product Features

- Sulfuric acid immobilized as a gel using the gaseous SiO₂ which imported from Germany as main electrolyte, The GEL state electrolyte prevents leakage and layering;
- Low resistance PVC-SiO₂ micro-porous separator ensure low internal resistance;
- Paste type, thick plate design, good corrosion resistance, long service life;
- Advanced gel technology, the battery has good charge acceptance ability and good performance in poor power supply condition.

Application

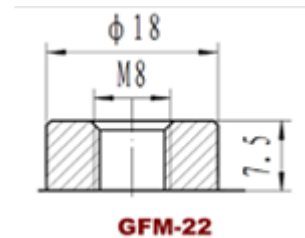
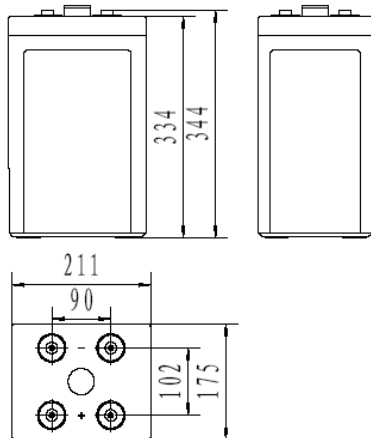
- Telecom
- Nuclear power, standby power supply
- Renewable Energy;
- CATV
- General electronic
- EPS/UPS

Compliant Standards

- IEC 60896-21/22: 2004
- IEC 61427-2005
- DIN43539-T5 1984
- YD/T1360-2005
- GB/T 22473-2008
- Passed ISO9001、ISO14001、OHSAS18001、UL and CE certificate
- Eurobat guide;

Safety

- installation compliant with:EN50272-2

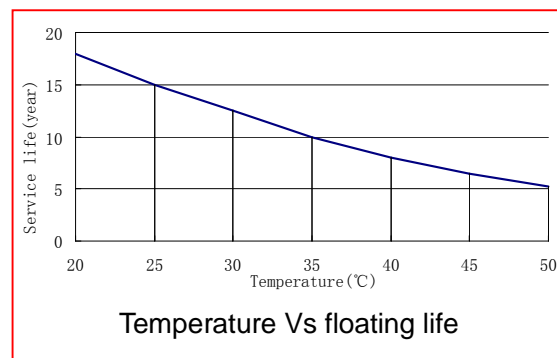
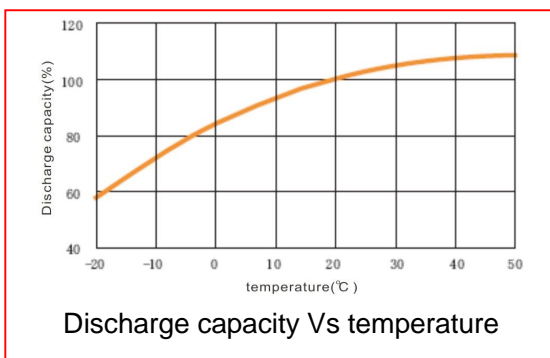
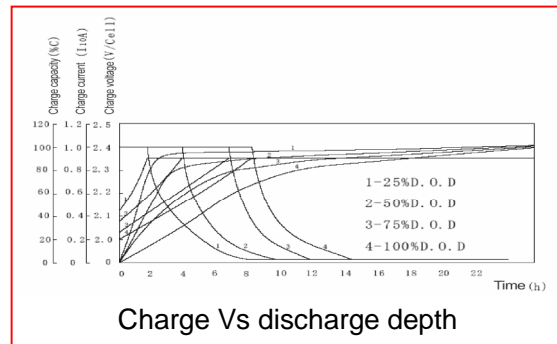
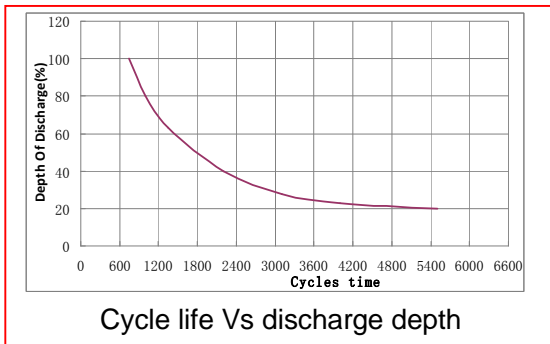


Battery Model	GFMJ-400			
Designed Life	15 Years			
Capacity(25°C)	10HR(40A,1.80V)	5HR(70A,1.80V)	3HR(102.4A,1.80V)	1HR(224A,1.80V)
	400AH	350AH	307.2AH	224AH
Dimensions	Length	Width	Height	Total Height
	211mm	175mm	334mm	344mm
Approx. Weight	30kg			
Internal Resistance	0.45m Ω			
Max Discharge Current	2576A(3 Sec.)			
Self Discharge	≤2% per months (25°C)			
Charge Voltage(25°C)	Cycle use		Float use	
	2.33V(-3.5mV/°C), max charge current:80A		2.23V(-3.5mV/°C)	

Discharge parameter:

Constant current discharge data (25°C, A)																		
End voltage (V/cell)	5min	10 min	15 min	20 min	30 min	1h	2h	3h	5h	6h	8h	10h	20h	24h	48h	100h	120h	240h
1.65	680	620	576	520	404	250	150	110	76	68	53.2	45	22.6	19.02	9.72	5	4.36	2.32
1.70	640	590	520	454	380	246	147.4	108.8	74.2	64.4	51.6	42.6	22.2	18.68	9.72	5	4.36	2.32
1.75	600	558	496	438	368	242	144.6	107.2	72.8	63.4	50.6	41.8	22	18.58	9.72	5	4.36	2.32
1.80	560	530	458	404	340	224	138.8	102.4	70	61	48.6	40	21.6	18.43	9.72	5	4.36	2.32
1.85	480	458	418	378	318	216	130.6	96	65.8	57.2	45.6	37.8	20.4	17.6	9.72	5	4.36	2.32

Constant power discharge data (25°C, W/cell)																		
End voltage (V/cell)	5min	10min	15min	20min	30min	1h	2h	3h	5h	6h	8h	10h	20h	24h	48h	100h	120h	240h
1.65	1188	1102	1036	942	738	464	280	208	144	100.2	80	66	33.8	30.6	19.44	10	8.8	4.68
1.70	1138	1068	950	836	702	460	278	208	142	97.2	77	63.8	33.4	29.8	19.44	10	8.8	4.68
1.75	1094	1030	924	820	692	458	276	206	140	93.8	74.4	61.4	33	29.2	19.44	10	8.8	4.68
1.80	1046	996	868	766	650	428	270	198	136	90.4	71.6	60	32.2	28.9	19.44	10	8.8	4.68
1.85	916	878	804	732	618	422	256	188	130	85.8	68.2	56.6	30.6	28.3	19.44	10	8.8	4.68

Performance Curve:


Address: NO.1 Shengyang Road, Qufu, Shandong 273100 China

Tel: +86-537-4438666-6028

Fax: +86-537-4411936

E-mail: sales@sacredsun.cn

<http://www.sacredsun.com>