

Product Features

- Sulfuric acid immobilized as a gel using the gaseous SiO₂ which imported from Germany as main electrolyte, The GEL state electrolyte prevents leakage and layering;
- Low resistance PVC-SiO₂ micro-porous separator ensure low internal resistance;
- Paste type, thick plate design, good corrosion resistance, long service life;
- Advanced gel technology, the battery has good charge acceptance ability and good performance in poor power supply condition.

Application

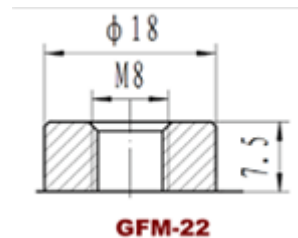
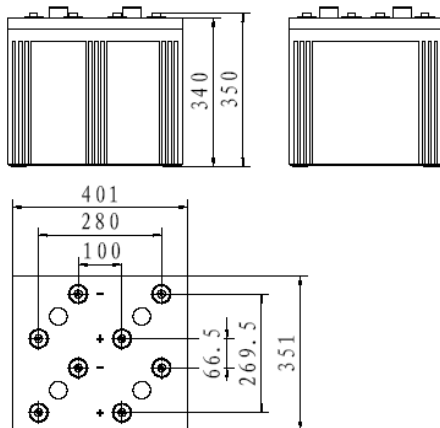
- Telecom
- Nuclear power, standby power supply
- Renewable Energy;
- CATV
- General electronic
- EPS/UPS

Compliant Standards

- IEC 60896-21/22: 2004
- IEC 61427-2005
- DIN43539-T5 1984
- YD/T1360-2005
- GB/T 22473-2008
- Passed ISO9001、ISO14001、OHSAS18001、UL and CE certificate
- Eurobat guide;

Safety

- installation compliant with:EN50272-2

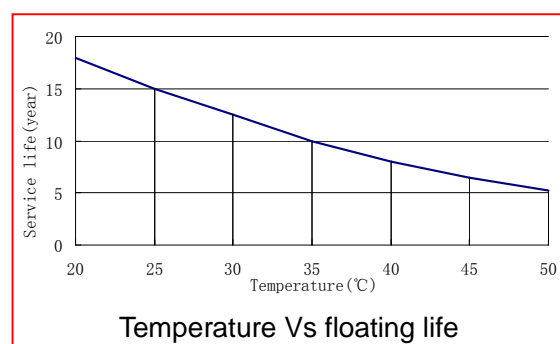
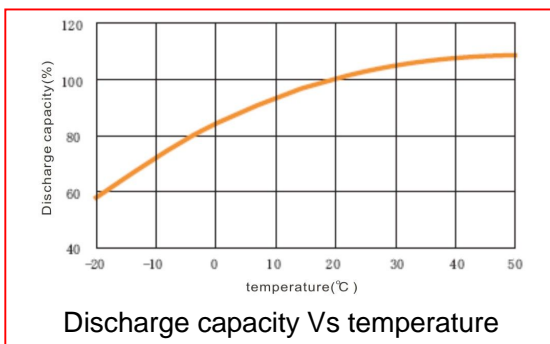
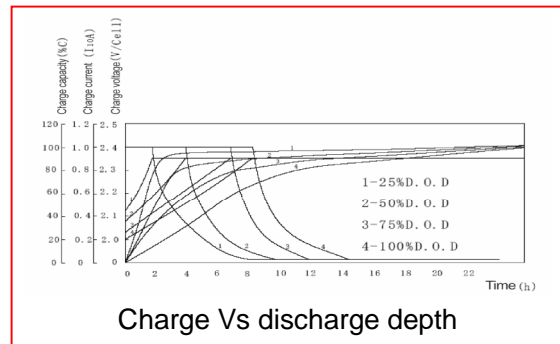
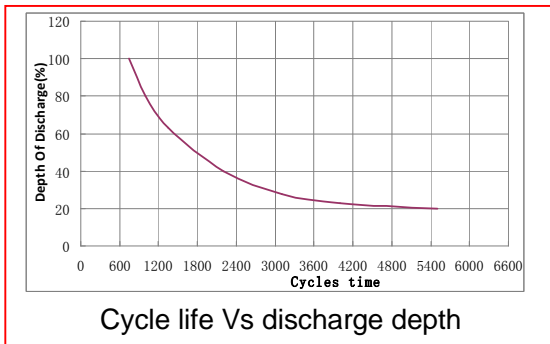

GFM-22

Battery Model	GFMJ-1500			
Designed Life	15 Years			
Capacity(25℃)	10HR(150A,1.80V)	5HR(262.5A,1.80V)	3HR(384A,1.80V)	1HR(840A,1.80V)
	1500AH	1312.5AH	1152AH	840AH
Dimensions	Length	Width	Height	Total Height
	401mm	351mm	340mm	350mm
Approx. Weight	107kg			
Internal Resistance	0.184mΩ			
Max Discharge Current	8280A(3 Sec.)			
Self Discharge	≤2% per months (25℃)			
Charge Voltage(25℃)	Cycle use		Float use	
	2.33V(-3.5mV/℃), max charge current:300A		2.23V(-3.5mV/℃)	

Discharge parameter:

Constant current discharge data (25°C, A)																		
End voltage (V/cell)	5min	10 min	15 min	20 min	30 min	1h	2h	3h	5h	6h	8h	10h	20h	24h	48h	100h	120h	240h
1.65	2550	2325	2160	1950	1515	937.5	562.5	412.5	285	255	199.5	168.75	84.75	70.9	36.45	18.75	16.35	8.7
1.70	2400	2212.5	1950	1702.5	1425	922.5	552.75	408	278.25	241.5	193.5	159.75	83.25	70.4	36.45	18.75	16.35	8.7
1.75	2250	2092.5	1860	1642.5	1380	907.5	542.25	402	273	237.75	189.75	156.75	82.5	70	36.45	18.75	16.35	8.7
1.80	2100	1987.5	1717.5	1515	1275	840	520.5	384	262.5	228.75	182.25	150	81	69.3	36.45	18.75	16.35	8.7
1.85	1800	1717.5	1567.5	1417.5	1192.5	810	489.75	360	246.75	214.5	171	141.75	76.5	66	36.45	18.75	16.35	8.7

Constant power discharge data (25°C, W/cell)																		
End voltage (V/cell)	5min	10min	15min	20min	30min	1h	2h	3h	5h	6h	8h	10h	20h	24h	48h	100h	120h	240h
1.65	4455	4132.5	3885	3532.5	2767.5	1740	1050	780	540	375.75	300	247.5	126.75	119.3	72.9	37.5	33	17.55
1.70	4267.5	4005	3562.5	3135	2632.5	1725	1042.5	780	532.5	364.5	288.75	239.25	125.25	119	72.9	37.5	33	17.55
1.75	4102.5	3862.5	3465	3075	2595	1717.5	1035	772.5	525	351.75	279	230.25	123.75	118.5	72.9	37.5	33	17.55
1.80	3922.5	3735	3255	2872.5	2437.5	1605	1012.5	742.5	510	339	268.5	225	120.75	116.9	72.9	37.5	33	17.55
1.85	3435	3292.5	3015	2745	2317.5	1582.5	960	705	487.5	321.75	255.75	212.25	114.75	113	72.9	37.5	33	17.55

Performance Curve:


ISO9001 ISO14001 OHSAS18001

Address: NO.1 Shengyang Road, Qufu, Shandong 273100 China

Tel: +86-537-4438666-6028

Fax: +86-537-4411936

E-mail: sales@sacredsun.cn

http://www.sacredsun.com