

Product Features

- Patent rectangular gridding grid design which provide long floating life;
- Patent positive plate 4BS technology and patent negative plate diachylon formula, high temperature and high humidity curing process, battery has good cycle performance;
- Patent multi-layer polarity sealing structure, safety and reliable leakage-proof performance
- Patent labyrinth type, double-layer and explosion-proof acid filter valve, high efficiency of oxygen compound

Application

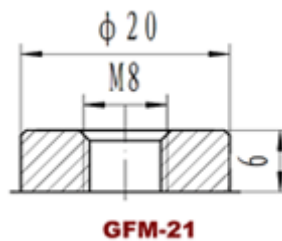
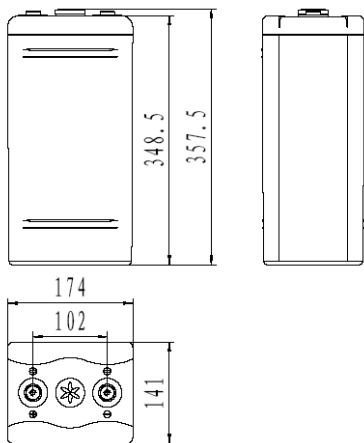
- Telecom
- Wireless and fixed communication application field;
- General electronic;
- Universal;
- EPS/UPS

Compliant Standards

- GB/T 19638.2-2005
- YD/T 799-2010
- DL/T 637-1997
- IEC 60896-21/22: 2004
- JIS C8704-1: 2006
- JIS C8704-2: 2006
- Passed ISO9001、ISO14001、OHSAS18001、UL、CE and TLC certificate
- Eurobat guide;

Safety

- installation compliant with:EN50272-2

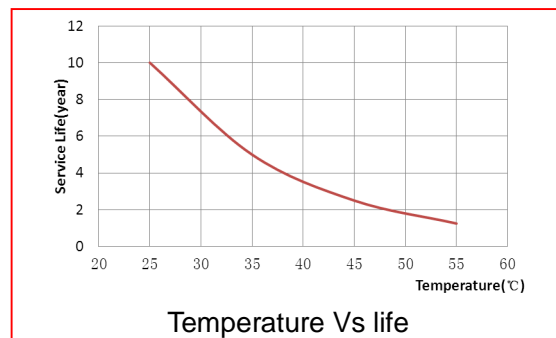
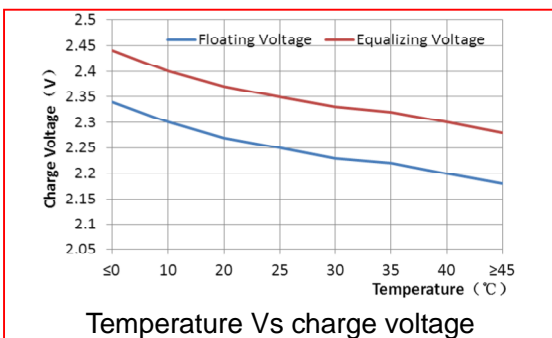
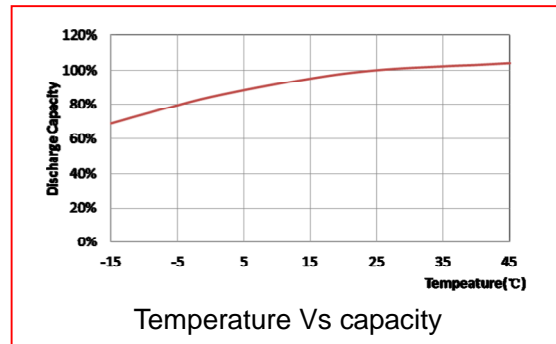
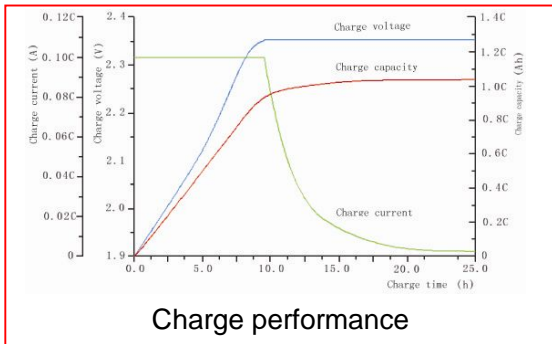


Battery Model	GFM-300C			
Designed Life	15Years			
Capacity(25°C)	10HR(30A,1.80V)	5HR(51A,1.80V)	3HR(75A,1.80V)	1HR(165A,1.75V)
	300AH	255AH	225AH	165AH
Dimensions	Length	Width	Height	Total Height
	141mm	174mm	348.5mm	357.5mm
Approx. Weight	19.0kg			
Internal Resistance	0.43m Ω for fully charged battery at 25°C Test instrumentation: HIOKI 3551 BATTERY HITESTER			
Maximum Discharge Current	1500A(5 Sec.)			
Self Discharge	$\leq 1\%$ per months (25°C)			
Charge Voltage(25°C)	Cycle use		Float use	
	2.35V(-3.5mV/°C), max charge current:45A		2.25V(-3.5mV/°C)	

Discharge parameter:

Constant current discharge data (25°C, A)																			
End voltage (V/cell)	min							h											
	5	10	15	20	30	40	50	1	1.5	2	3	4	5	6	7	8	9	10	24
1.60	630	487	403	347	275	231	200	174	133	108	79.9	63.7	53.5	46.6	41.2	37.0	33.6	30.9	13.2
1.65	573	446	372	323	260	220	192	171	130	107	78.8	62.9	52.9	46.1	40.9	36.6	33.3	30.7	13.1
1.70	523	409	344	301	245	209	183	166	127	105	77.7	62.1	52.3	45.6	40.5	36.3	32.9	30.4	13.1
1.75	457	377	324	287	236	203	179	165	125	103	76.4	61.3	51.6	45.1	40.1	36.0	32.6	30.2	13.0
1.80	402	349	306	274	228	196	174	157	121	100	75.0	60.4	51.0	44.5	39.6	35.6	32.3	30.0	12.9

Constant power discharge data (25°C, W/cell)																			
End voltage (V/cell)	min							h											
	5	10	15	20	30	40	50	1	1.5	2	3	4	5	6	7	8	9	10	24
1.60	918	789	665	589	463	389	344	306	238	197	146	117	99.0	87.0	78.5	71.2	65.1	59.5	26.5
1.65	843	716	610	543	431	366	327	296	229	190	142	114	97.2	85.3	77.5	70.3	64.1	58.4	26.2
1.70	744	656	567	508	402	347	309	287	223	185	139	112	95.9	84.1	76.4	69.5	63.4	57.9	25.8
1.75	667	607	528	472	377	326	295	274	217	180	136	110	94.1	83.1	75.6	68.6	62.4	57.1	25.4
1.80	613	557	484	435	353	308	285	261	210	175	134	108	92.5	81.8	74.3	67.7	61.6	56.5	25.0

Performance Curve:


Address: NO.1 Shengyang Road, Qufu, Shandong 273100 China

Tel: +86-537-4438666-6028

Fax: +86-537-4411936

E-mail: sales@sacredsun.cn

<http://www.sacredsun.com>