

**Product Features**

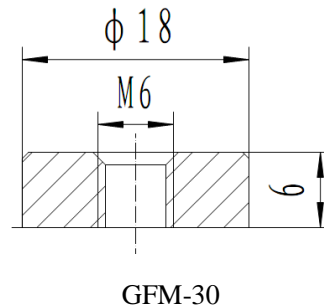
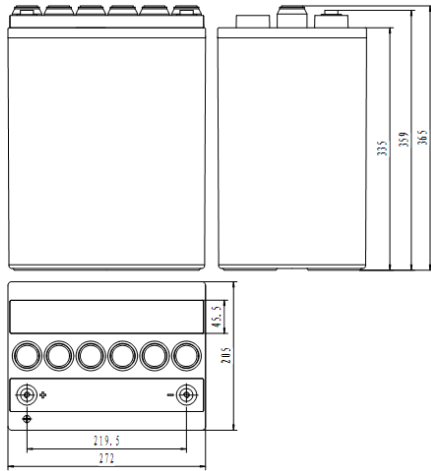
- Tubular positive plate avoids active material from shedding effectively and the positive frame is cast by multi-alloy(Pb-Ca-Sn-Al) with fine and compact crystal structure, resulting in good corrosion resistance;
- Sulfuric acid immobilized as a gel using the gaseous SiO<sub>2</sub> as main electrolyte, which is in dilute sol state when injecting and filled in the whole plate space so that the plate can fully react. The GEL state electrolyte prevents leakage and layering;
- Low resistance PVC-SiO<sub>2</sub> micro-porous separator ensure low internal resistance;
- ABS containers and covers (FV0 optional)

**Application**

- Renewable Energy;
- Energy utility: production, Transport, distribution, switchgear
- Telecom
- General electronic
- Mobility & leisure
- EPS/UPS

**Compliant Standards**

- IEC 60896-21/22 : 2004
- IEC 61427-2005
- DIN43539-T5
- DIN40744:1999
- GB/T 22473-2008
- Passed ISO9001, ISO14001, OHSAS18001



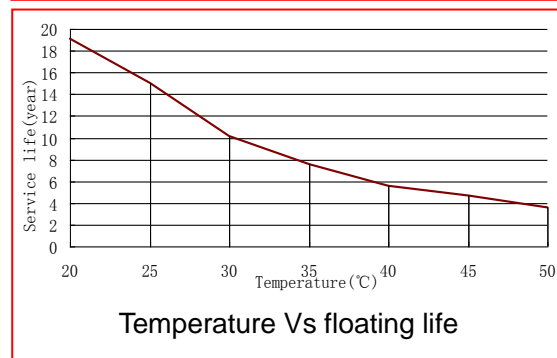
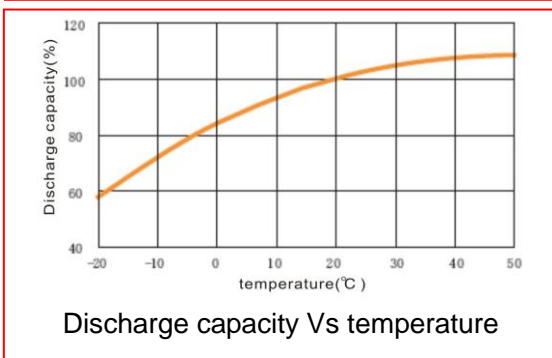
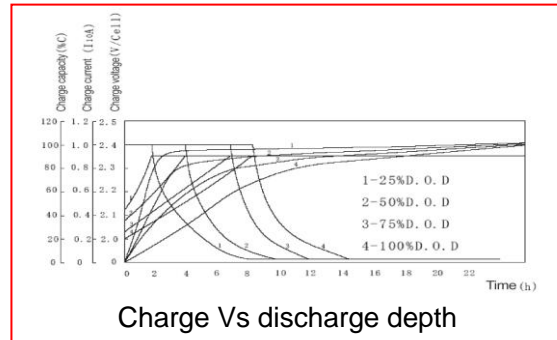
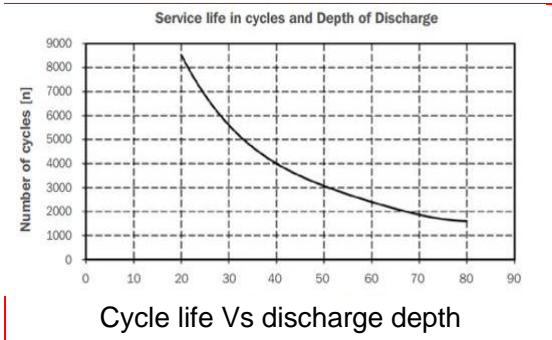
Battery Model	6GFMJ-50H			
Designed Life	15 Years(25°C)			
Capacity(25°C)	10HR(5.0A,1.80V)	5HR(8.5A,1.80V)	3HR(12.5A,1.80V)	1HR(25A,1.80V)
	50AH	42.5AH	37.5AH	25AH
Dimensions	Length	Width	Height	Total Height
	272mm	205mm	335mm	365mm
Approx. Weight	33.5kg			
Internal Resistance	13.0mΩ			
Maximum Discharge Current	500A(3 Sec.)			
Self Discharge	≤3% per months (25°C)			
Charge Voltage(25°C)	Cycle use			Float use
	2.33V(-3.5mV/°C), max charge current:10A			2.23V(-3.5mV/°C)

**Discharge parameter:**
**Constant current discharge data (25°C, A)**

End voltage (V/cell)	5min	10min	15min	20min	30min	1h	2h	3h	5h	6h	8h	10h	20h	24h	48h	100h	120h	240h
1.65	75.7	67.7	59.0	51.3	43.7	28.7	18.9	14.7	9.63	8.40	6.63	5.83	3.00	2.57	1.30	0.65	0.55	0.28
1.70	70.7	63.3	54.7	47.7	42.3	27.7	17.8	14.0	9.33	8.17	6.37	5.53	3.00	2.57	1.30	0.64	0.54	0.28
1.75	67.7	60.7	53.7	46.0	40.0	26.3	16.8	13.2	8.93	7.77	6.13	5.27	2.85	2.50	1.28	0.62	0.53	0.27
1.80	63.7	57.7	50.7	42.7	38.7	25.0	15.9	12.5	8.50	7.43	5.87	5.00	2.70	2.47	1.27	0.61	0.52	0.26
1.85	60.0	54.3	48.0	40.0	36.3	23.7	15.1	11.8	8.17	7.20	5.57	4.73	2.55	2.35	1.25	0.61	0.51	0.26

**Constant power discharge data (25°C, W/cell)**

End voltage (V/cell)	5min	10min	15min	20min	30min	1	2	3	5	6	8	10	20	24	48	100	120	240
1.65	127	124	114	102	88	63	40	30.5	21	17.4	13.8	11	6.8	3.86	2.2	1.42	1.12	0.81
1.7	116	112	105	96.7	84	59	38	28.5	20.5	16.9	13.4	11	6.4	3.84	2.18	1.41	1.11	0.8
1.75	106	104	97	90.3	77	56.5	36	27	19.5	16.2	13	10.9	6	3.8	2.12	1.4	1.1	0.78
1.8	96	94	86	77	69.7	52.5	34	26	18	15.2	12.5	10.3	5.6	3.78	2.1	1.39	1.09	0.76
1.85	92	80	68	64	59	46.5	29.5	23	16	13.5	11	9.2	5.5	3.4	2.08	1.38	1.08	0.75

**Performance Curve:**


Address: NO.1 Shengyang Road, Qufu, Shandong 273100 China

Tel: +86-537-4438666-6028

Fax: +86-537-4411936

E-mail: sales@sacredsun.cn

<http://www.sacredsun.com>