

Product Features

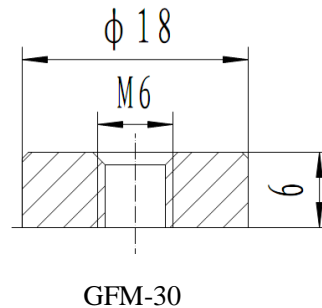
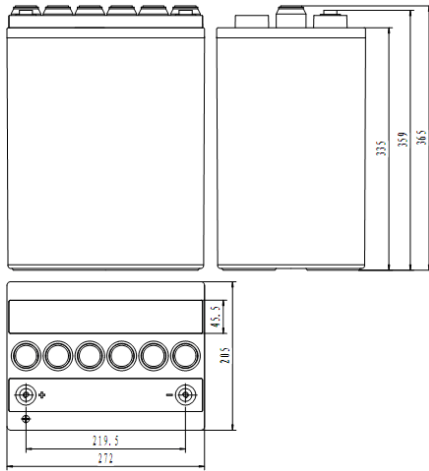
- Tubular positive plate avoids active material from shedding effectively and the positive frame is cast by multi-alloy(Pb-Ca-Sn-Al) with fine and compact crystal structure, resulting in good corrosion resistance;
- Sulfuric acid immobilized as a gel using the gaseous SiO₂ as main electrolyte, which is in dilute sol state when injecting and filled in the whole plate space so that the plate can fully react. The GEL state electrolyte prevents leakage and layering;
- Low resistance PVC-SiO₂ micro-porous separator ensure low internal resistance;
- ABS containers and covers (FV0 optional)

Application

- Renewable Energy;
- Energy utility: production, Transport, distribution, switchgear
- Telecom
- General electronic
- Mobility & leisure
- EPS/UPS

Compliant Standards

- IEC 60896-21/22 : 2004
- IEC 61427-2005
- DIN43539-T5
- DIN40744:1999
- GB/T 22473-2008
- Passed ISO9001, ISO14001, OHSAS18001



Battery Model	6GFMJ-100H			
Designed Life	15 Years(25°C)			
Capacity(25°C)	10HR(10A,1.80V)	5HR(17A,1.80V)	3HR(25A,1.80V)	1HR(50A,1.80V)
	100AH	85AH	75AH	50AH
Dimensions	Length	Width	Height	Total Height
	272mm	205mm	335mm	365mm
Approx. Weight	52.5kg			
Internal Resistance	7.2mΩ			
Maximum Discharge Current	769A(3 Sec.)			
Self Discharge	≤3% per months (25°C)			
Charge Voltage(25°C)	Cycle use			Float use
	2.33V(-3.5mV/°C), max charge current:10A			2.23V(-3.5mV/°C)

Discharge parameter:
Constant current discharge data (25°C, A)

End voltage (V/cell)	5min	10min	15min	20min	30min	1h	2h	3h	5h	6h	8h	10h	20h	24h	48h	100h	120h	240h
1.65	151	135	118	103	87.33	57.33	37.80	29.47	19.27	16.80	13.27	11.67	6.00	5.13	2.60	1.29	1.09	0.56
1.70	141	127	109	95	84.67	55.33	35.53	27.93	18.67	16.33	12.73	11.07	6.00	5.13	2.60	1.27	1.07	0.54
1.75	135	121	107	92	80.00	52.67	33.60	26.40	17.87	15.53	12.27	10.53	5.70	5.00	2.58	1.26	1.05	0.53
1.80	127	115	101	85	77.33	50.00	31.80	25.00	17.00	14.87	11.73	10.00	5.40	4.93	2.56	1.24	1.05	0.53
1.85	120	109	96	80	72.67	47.33	30.13	23.67	16.33	14.40	11.13	9.47	5.10	4.70	2.45	1.22	1.03	0.52

Constant power discharge data (25°C, W/cell)

End voltage (V/cell)	5min	10min	15min	20min	30min	1	2	3	5	6	8	10	20	24	48	100	120	240
1.65	250	245	236	210	172	117	84.7	61	46	36.5	27.8	20	15	10	6.73	4.5	2.8	1.61
1.7	232	227	222	192	165	114	82.7	59.3	43	35.3	27	18.9	14	9.8	6.68	4.3	2.76	1.6
1.75	212	208	195	180	155	111	80.7	57	41	34.3	26.1	18.3	13.5	9.6	6.65	4.25	2.7	1.58
1.8	192	189	172	158	140	104	78.7	55.3	40	33	25.6	17.5	12.8	9.4	6.6	4.15	2.65	1.55
1.85	185	157	135	127	119	101	74.7	52.4	39	31.4	23.8	17	12.5	9	6.5	4.1	2.62	1.52

Performance Curve:
