

Product Features

- Patent rectangular gridding grid design which provide long floating life;
- Patent positive plate 4BS technology and patent negative plate diachylon formula, high temperature and high humidity curing process, battery has good cycle performance;
- Patent multi-layer polarity sealing structure, safety and reliable leakage-proof performance
- Patent labyrinth type, double-layer and explosion-proof acid filter valve, high efficiency of oxygen compound

Application

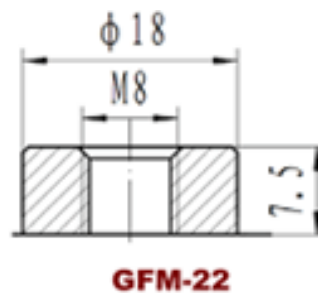
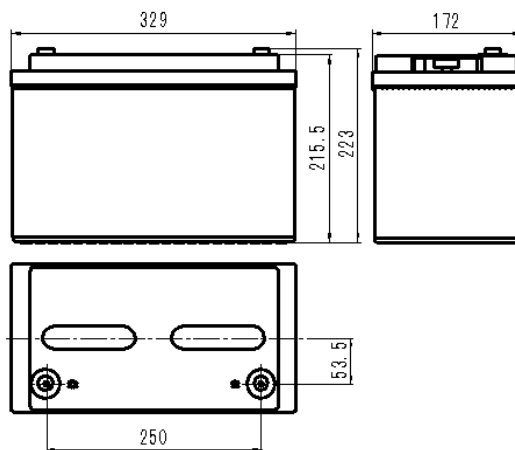
- Telecom
- Wireless and fixed communication application field;
- General electronic;
- Universal;
- EPS/UPS

Compliant Standards

- GB/T 19638.2-2005
- YD/T 799-2010
- IEC 60896-21/22: 2004
- JIS C8704-1: 2006
- JIS C8704-2: 2006
- Passed ISO9001、ISO14001、OHSAS18001、UL and CE certificate
- Eurobat guide;

Safety

- installation compliant with:EN50272-2

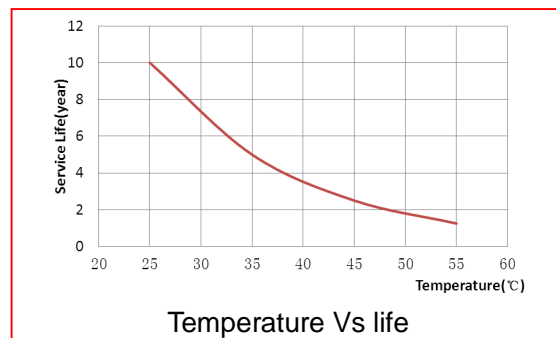
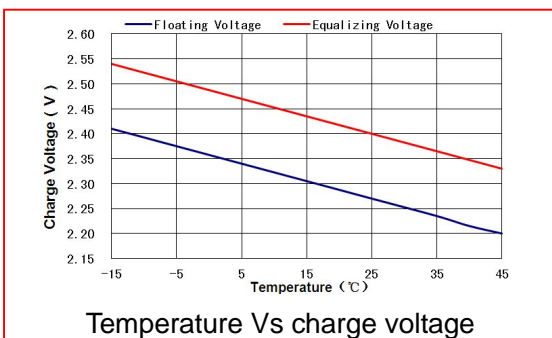
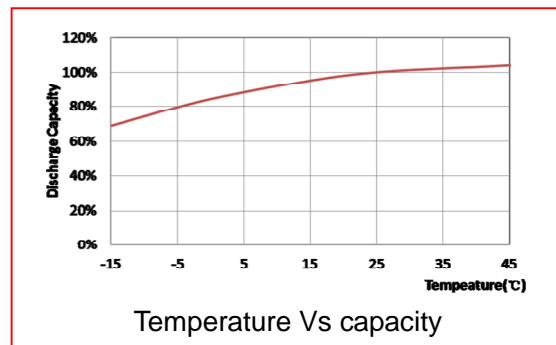
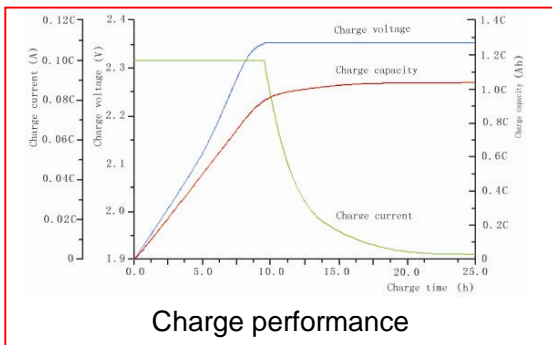


Battery Model	6GFM-80			
Designed Life	10Years			
Capacity(25°C)	10HR(8A,1.80V)	5HR(12.8A,1.80V)	3HR(20.3A,1.80V)	1HR(47.6A,1.75V)
	80AH	64AH	60.9AH	47.6AH
Dimensions	Length	Width	Height	Total Height
	329mm	172mm	215.5mm	223mm
Approx. Weight	29.3kg			
Internal Resistance	6.2mΩ for fully charged battery at 25°C Test instrumentation: HIOKI 3551 BATTERY HITESTER			
Maximum Discharge Current	480A(5 Sec.)			
Self Discharge	≤1% per months (25°C)			
Charge Voltage(25°C)	Cycle use			Float use
	2.40V/cell(-3.5mV/°C), max charge current:16A			2.27V/cell(-3.5mV/°C)

Discharge parameter:

Constant current discharge data (25°C, A)													
End voltage (V/cell)	min						h						
	5	10	15	20	30	45	1	1.5	2	3	5	10	20
1.60	251.0	185.0	142.0	116.0	81.90	69.10	49.40	39.60	29.20	21.60	14.40	8.50	4.30
1.65	241.0	181.0	138.0	113.0	81.10	64.70	49.30	36.90	29.10	21.20	14.10	8.40	4.25
1.70	229.0	175.0	133.0	110.0	80.00	61.40	48.80	35.20	28.90	20.90	13.70	8.30	4.20
1.75	215.0	165.0	128.0	105.0	78.10	58.10	47.60	34.10	28.60	20.60	13.30	8.20	4.15
1.80	195.0	153.0	122.0	99.0	75.30	56.00	46.40	32.80	28.10	20.30	12.80	8.00	4.10

Constant power discharge data (25°C, W/cell)													
End voltage (V/cell)	min						h						
	5	10	15	20	30	45	1	1.5	2	3	5	10	20
1.60	430.0	318.0	255.0	202.0	161.0	126.0	91.80	69.20	52.60	40.80	29.50	17.70	8.200
1.65	415.0	309.0	242.0	193.0	151.0	120.0	88.60	66.90	50.20	39.80	28.20	16.80	8.100
1.70	396.0	301.0	236.0	186.0	144.0	114.0	85.20	65.00	48.80	38.80	26.90	16.30	8.000
1.75	372.0	285.0	221.0	178.0	138.0	110.0	82.10	62.70	48.00	37.70	25.80	16.00	7.900
1.80	338.0	268.0	211.0	171.0	134.0	105.0	81.20	60.00	48.00	36.70	24.80	15.70	7.800

Performance Curve:


Address: NO.1 Shengyang Road, Qufu, Shandong 273100 China

Tel: +86-537-4438666-6028

Fax: +86-537-4411936

E-mail: sales@sacredsun.cn

<http://www.sacredsun.com>