

Product Features

- Patent rectangular gridding grid design which provide long floating life;
- Patent positive plate 4BS technology and patent negative plate diachylon formula, high temperature and high humidity curing process, battery has good cycle performance;
- Patent multi-layer polarity sealing structure, safety and reliable leakage-proof performance
- Patent labyrinth type, double-layer and explosion-proof acid filter valve, high efficiency of oxygen compound

Application

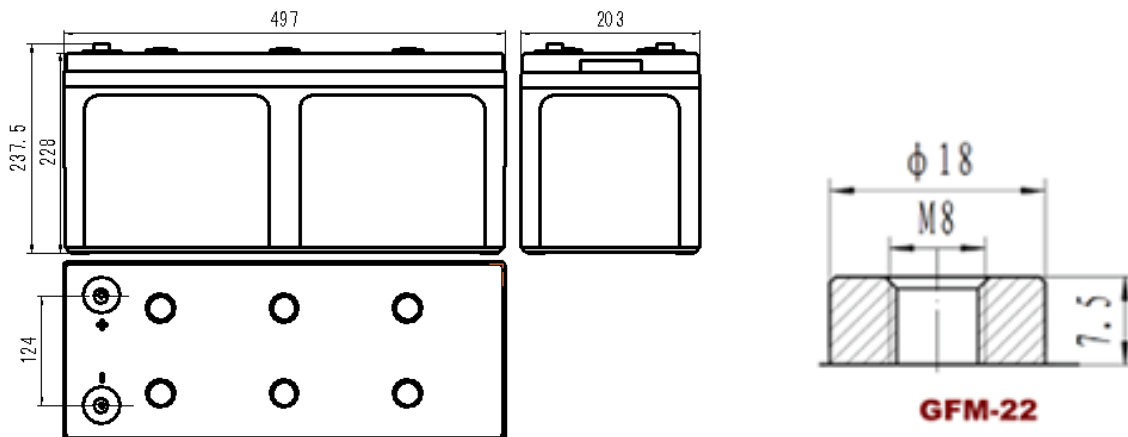
- Telecom
- Wireless and fixed communication application field;
- General electronic;
- Universal;
- EPS/UPS

Compliant Standards

- GB/T 19638.2-2005
- YD/T 799-2010
- IEC 60896-21/22: 2004
- JIS C8704-1: 2006
- JIS C8704-2: 2006
- Passed ISO9001、ISO14001、OHSAS18001、UL and CE certificate
- Eurobat guide;

Safety

- installation compliant with:EN50272-2

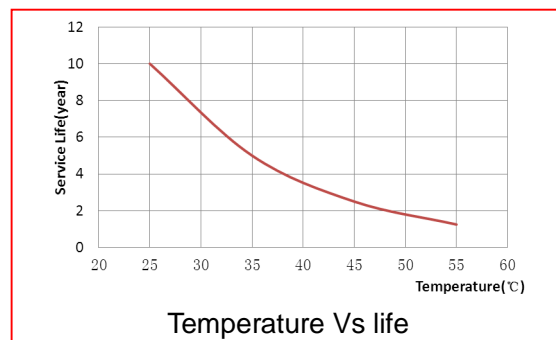
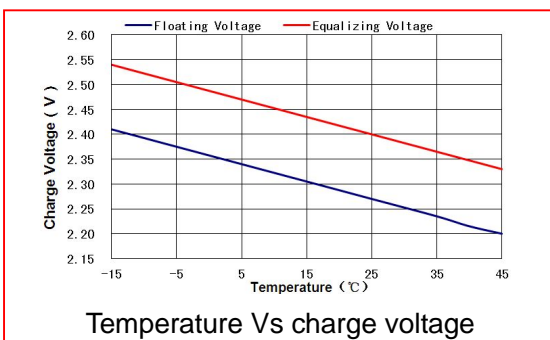
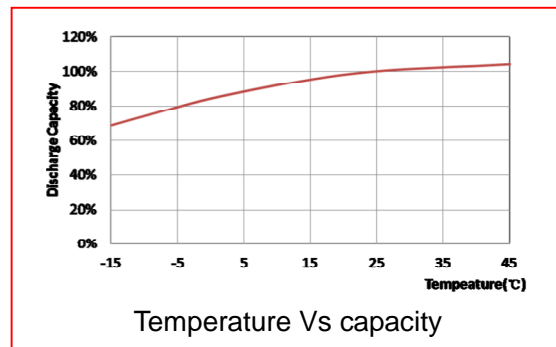
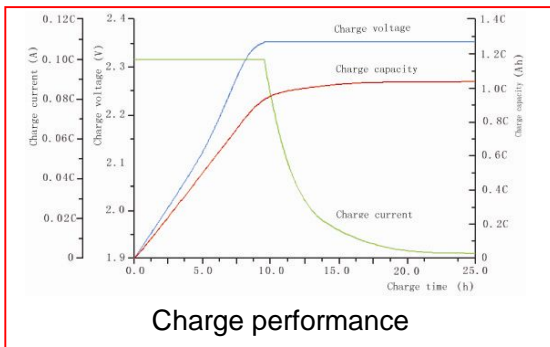


Battery Model	6GFM-150			
Designed Life	10Years			
Capacity(25°C)	10HR(15A,1.80V)	5HR(23A,1.80V)	3HR(38A,1.80V)	1HR(84A,1.75V)
	150AH	115AH	114AH	84AH
Dimensions	Length	Width	Height	Total Height
	497mm	203mm	228mm	237.5mm
Approx. Weight	53.6kg			
Internal Resistance	3.8mΩ for fully charged battery at 25°C Test instrumentation: HIOKI 3551 BATTERY HITESTER			
Maximum Discharge Current	900A(5 Sec.)			
Self Discharge	≤1% per months (25°C)			
Charge Voltage(25°C)	Cycle use		Float use	
	2.40V/cell(-3.5mV/°C), max charge current:30A		2.27V/cell(-3.5mV/°C)	

Discharge parameter:

Constant current discharge data (25°C, A)													
End voltage (V/cell)	min						h						
	5	10	15	20	30	45	1	1.5	2	3	5	10	20
1.60	453.0	328.0	263.0	227.0	165.0	123.0	95.50	69.00	54.50	40.50	27.00	15.90	8.000
1.65	408.0	303.0	250.0	221.0	160.0	121.0	90.50	66.80	52.50	39.80	26.00	15.70	7.950
1.70	378.0	283.0	238.0	215.0	155.0	119.0	85.50	64.50	50.50	39.10	25.00	15.50	7.900
1.75	328.0	268.0	223.0	205.0	150.0	115.0	84.00	63.00	48.50	38.70	24.00	15.30	7.800
1.80	308.0	248.0	208.0	185.0	145.0	110.0	82.50	61.50	46.50	38.00	23.00	15.00	7.700

Constant power discharge data (25°C, W/cell)													
End voltage (V/cell)	min						h						
	5	10	15	20	30	45	1	1.5	2	3	5	10	20
1.60	734.0	525.0	423.0	370.0	290.0	230.0	169.0	129.0	103.0	76.50	51.00	31.80	15.50
1.65	682.0	510.0	415.0	365.0	284.0	225.0	163.0	126.0	99.80	76.00	50.50	31.20	15.30
1.70	636.0	490.0	405.0	355.0	278.0	218.0	155.0	122.0	96.50	75.10	50.00	30.60	15.00
1.75	596.0	470.0	395.0	351.0	271.0	210.0	151.0	120.0	92.90	74.50	49.50	30.00	14.60
1.80	561.0	450.0	375.0	335.0	263.0	200.0	147.0	118.0	89.30	69.50	48.50	29.40	14.20

Performance Curve:


Address: NO.1 Shengyang Road, Qufu, Shandong 273100 China

Tel: +86-537-4438666-6028

Fax: +86-537-4411936

E-mail: sales@sacredsun.cn

<http://www.sacredsun.com>