

Product Features

- Patent rectangular gridding grid design which provide long floating life;
- Patent positive plate 4BS technology and patent negative plate diachylon formula, high temperature and high humidity curing process, battery has good cycle performance;
- Patent multi-layer polarity sealing structure, safety and reliable leakage-proof performance
- Patent labyrinth type, double-layer and explosion-proof acid filter valve, high efficiency of oxygen compound

Application

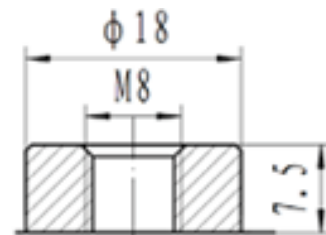
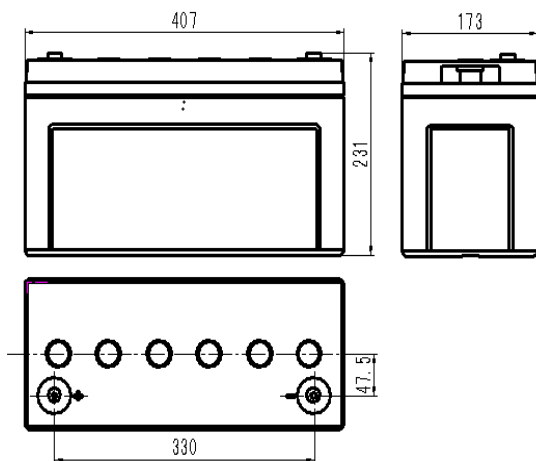
- Telecom
- Wireless and fixed communication application field;
- General electronic;
- Universal;
- EPS/UPS

Compliant Standards

- GB/T 19638.2-2005
- YD/T 799-2010
- IEC 60896-21/22: 2004
- JIS C8704-1: 2006
- JIS C8704-2: 2006
- Passed ISO9001、ISO14001、OHSAS18001、UL and CE certificate
- Eurobat guide;

Safety

- installation compliant with:EN50272-2

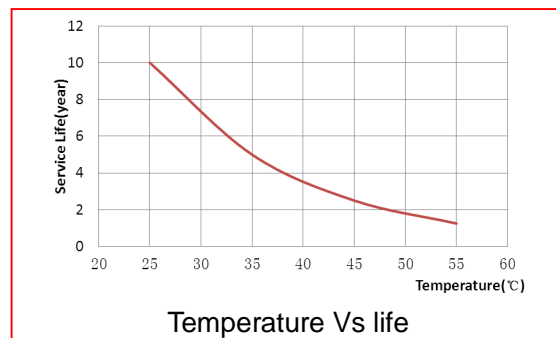
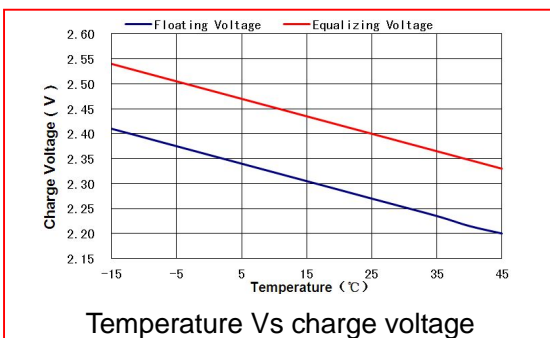
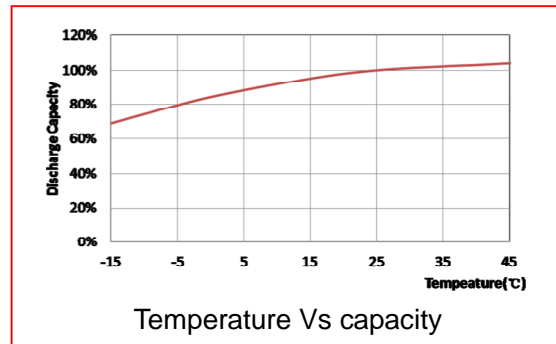
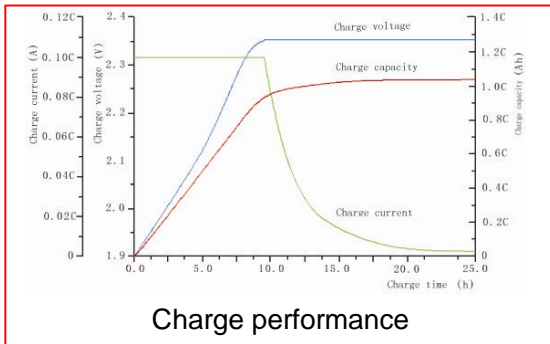

GFM-22

Battery Model	6GFM-100			
Designed Life	10Years			
Capacity(25°C)	10HR(10A,1.80V)	5HR(15.5A,1.80V)	3HR(25.5A,1.80V)	1HR(56A,1.75V)
	100AH	77.5AH	76.5AH	56AH
Dimensions	Length	Width	Height	Total Height
	407mm	173mm	222mm	231mm
Approx. Weight	36.5kg			
Internal Resistance	5.0mΩ for fully charged battery at 25°C Test instrumentation: HIOKI 3551 BATTERY HITESTER			
Maximum Discharge Current	600A(5 Sec.)			
Self Discharge	≤1% per months (25°C)			
Charge Voltage(25°C)	Cycle use		Float use	
	2.40V/cell(-3.5mV/°C), max charge current:20A		2.27V/cell(-3.5mV/°C)	

Discharge parameter:

Constant current discharge data (25°C, A)													
End voltage (V/cell)	min						h						
	5	10	15	20	30	45	1	1.5	2	3	5	10	20
1.60	307	233	185	157	106	89.0	62.0	48.6	35.0	27.0	18.0	10.5	5.30
1.65	282	212	178	150	102	84.0	60.0	45.9	33.0	26.5	17.0	10.4	5.25
1.70	262	192	169	142	98	79.1	58.0	43.0	31.0	26.1	16.0	10.3	5.20
1.75	252	187	160	132	94.0	73.7	56.0	40.0	30.0	25.8	15.0	10.2	5.15
1.80	232	182	151	120	89.0	70.0	55.0	38.1	29.0	25.5	14.0	10.0	5.10

Constant power discharge data (25°C, W/cell)													
End voltage (V/cell)	min						h						
	5	10	15	20	30	45	1	1.5	2	3	5	10	20
1.60	560	422	329	273	204	158	121	91.4	65.8	51.0	36.5	23.0	11.1
1.65	538	410	323	269	201	152	115	86.9	62.7	50.0	34.5	22.0	10.7
1.70	507	394	315	263	197	146	109	83.3	59.2	49.0	32.5	21.0	10.1
1.75	467	372	304	255	192	137	106	80.0	57.5	48.0	30.5	19.5	9.80
1.80	426	343	287	244	186	131	102	77.0	55.7	46.0	28.0	18.0	9.40

Performance Curve:


ISO9001 ISO14001 OHSAS18001

Address: NO.1 Shengyang Road, Qufu, Shandong 273100 China

Tel: +86-537-4438666-6028

E-mail: sales@sacredsun.cn

Fax: +86-537-4411936

http://www.sacredsun.com