

Product Features

- Sulfuric acid immobilized as a gel using the gaseous SiO₂ which imported from Germany as main electrolyte, The GEL state electrolyte prevents leakage and layering;
- Low resistance PVC-SiO₂ micro-porous separator ensure low internal resistance;
- Paste type, thick plate design, good corrosion resistance, long service life;
- Advanced gel technology, the battery has good charge acceptance ability and good performance in poor power supply condition.

Application

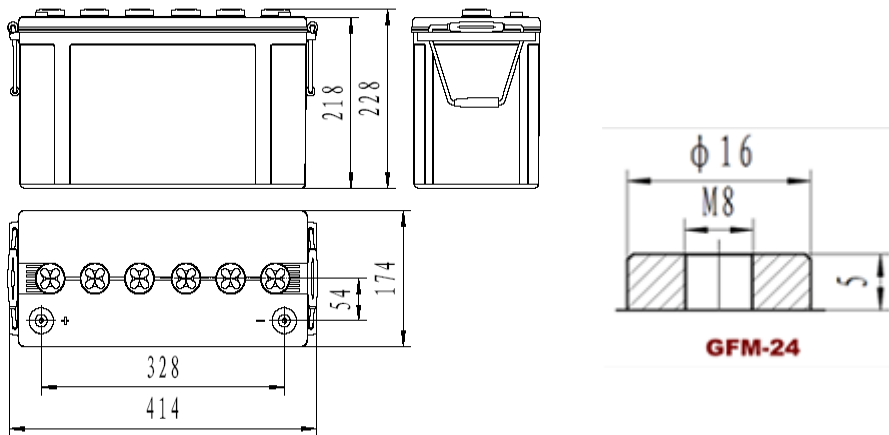
- Telecom
- Nuclear power, standby power supply
- Renewable Energy;
- CATV
- General electronic
- EPS/UPS

Compliant Standards

- IEC 60896-21/22: 2004
- IEC 61427-2005
- DIN43539-T5 1984
- YD/T1360-2005
- GB/T 22473-2008
- Passed ISO9001、ISO14001、OHSAS18001 certificate
- Eurobat guide;

Safety

- installation compliant with:EN50272-2

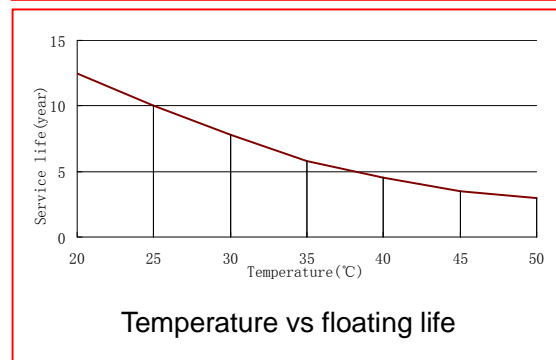
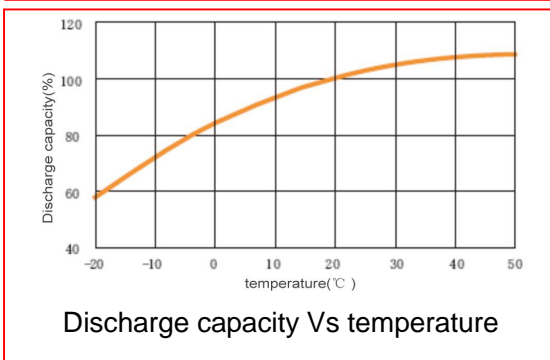
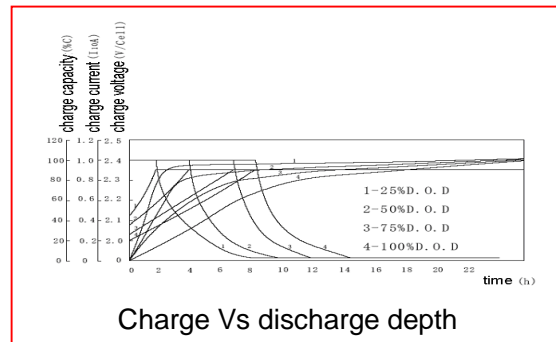
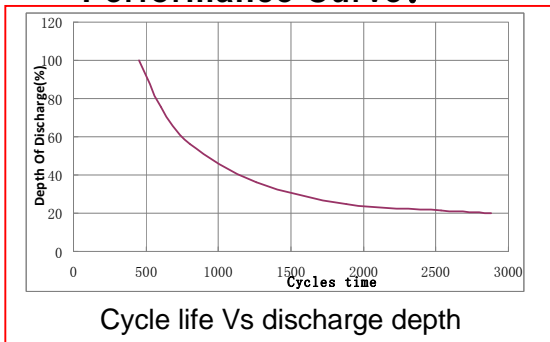


Battery Model	6FMJ-85			
Designed Life	10 Years			
Capacity(25°C)	10HR(8.5A,1.80	5HR(14.5A,1.80V	3HR(21.3A,1.80V)	1HR(42.5A,1.80V)
	85AH	72.5AH	63.9AH	42.5AH
Dimensions	Length	Width	Height	Total Height
	414mm	174mm	218mm	228mm
Approx. Weight	34.0kg			
Internal Resistance	5.19m Ω			
Maximum Discharge	1012A(3 Sec.)			
Self Discharge	≤2% per months (25°C)			
Charge Voltage(25°C)	Cycle use		Float use	
	13.98V(-21mV/°C), max charge		13.38V(-21mV/°C)	

Discharge parameter:

Constant current discharge data (25°C, A)																		
End voltage (V/cell)	5min	10min	15min	20min	30min	45min	1h	1.5h	2h	3h	5h	10h	20h	24h	48h	100h	120h	240h
1.60	232.7	169.6	132.1	110.8	80.9	57.9	45.6	37.4	28.6	21.9	14.6	8.5	4.50	3.85	2.03	1.04	0.91	0.48
1.65	220.8	163.6	129.6	109.1	80.2	56.2	45.0	36.9	28.6	21.9	14.6	8.5	4.50	3.85	2.03	1.04	0.91	0.48
1.70	208.0	155.1	126.9	106.5	79.2	55.8	44.4	36.4	28.6	21.9	14.6	8.5	4.50	3.85	2.03	1.04	0.91	0.48
1.75	192.6	144.1	122.7	102.3	76.7	55.2	43.8	35.9	28.6	21.9	14.6	8.5	4.50	3.85	2.03	1.04	0.91	0.48
1.80	164.4	131.2	115.1	95.5	72.5	54.6	42.5	34.8	27.8	21.3	14.5	8.5	4.33	3.67	2.03	1.04	0.91	0.48

Constant power discharge data (25°C, W/cell)																		
End voltage (V/cell)	5min	10min	15min	20min	30min	45min	1h	1.5h	2h	3h	5h	10h	20h	24h	48h	100h	120h	240h
1.60	419.1	313.9	246.4	206.8	155.0	116.5	90.8	70.6	55.3	40.0	27.4	16.2	8.7	7.78	4.13	2.13	1.87	0.99
1.65	389.8	302.3	241.0	204.3	153.6	115.5	89.2	70.0	55.3	40.0	27.4	16.0	8.7	7.78	4.13	2.13	1.87	0.99
1.70	356.4	285.7	232.9	200.2	151.5	113.9	89.2	69.4	55.3	40.0	27.4	16.0	8.7	7.78	4.13	2.13	1.87	0.99
1.75	328.5	264.8	225.7	192.6	147.6	111.3	87.6	68.7	55.3	40.0	27.4	15.8	8.7	7.78	4.13	2.13	1.87	0.99
1.80	305.7	241.4	215.5	180.5	140.6	107.3	86.4	67.1	53.9	39.0	25.9	15.4	8.4	7.48	4.13	2.13	1.87	0.99

Performance Curve:


Address: NO.1 Shengyang Road, Qufu, Shandong 273100 China

Tel: +86-537-4438666-6028

Fax: +86-537-4411936

E-mail: sales@sacredsun.cn

http://www.sacredsun.com