

Product Features

- Patent composite grid structure, a smaller plate spacing design which provide high current discharge performance and high power output
- Special wide-low type structure effectively prevent electrolyte stratification;
- Optimization for positive and negative active material ratio, battery has high power ratio;
- ABS containers and covers (FV0 optional)

Application

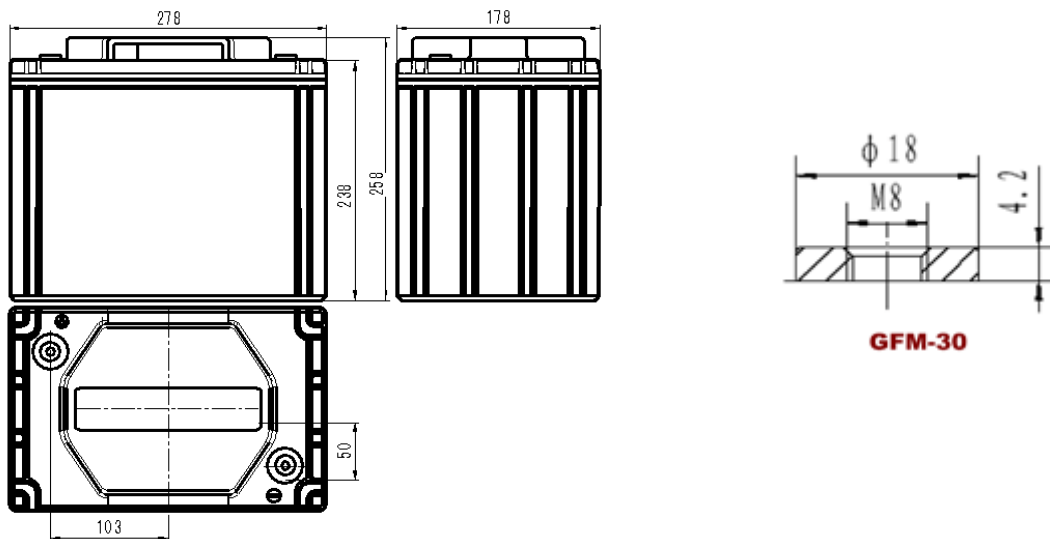
- UPS/EPS;
- Telecom;
- Emergency lighting;
- CATV;
- Energy utility: production, Transport, distribution; switchgear;
- General electronic.

Compliant Standards

- GB/T 19638.2-2005
- IEC 60896-21/22: 2004
- Passed ISO9001、ISO14001、OHSAS18001、UL and CE certificate
- Eurobat guide;

Safety

- installation compliant with:EN50272-2

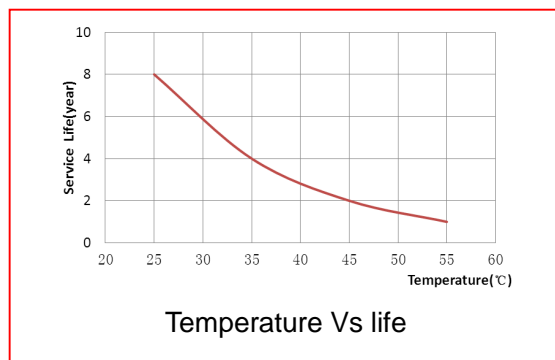
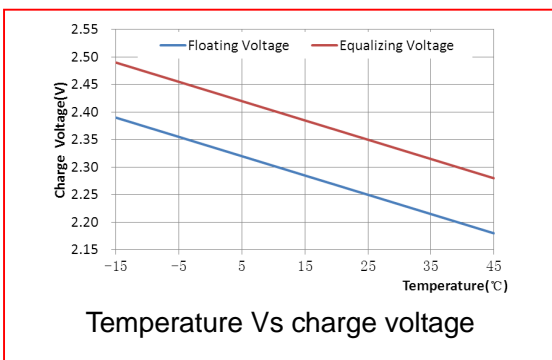
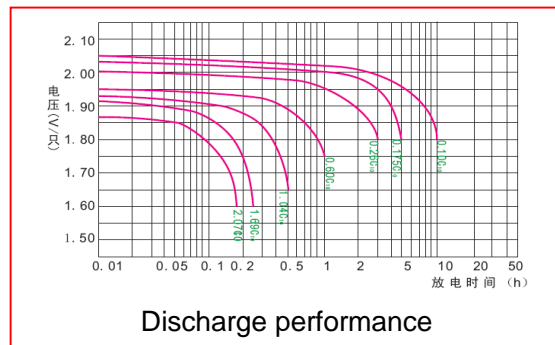
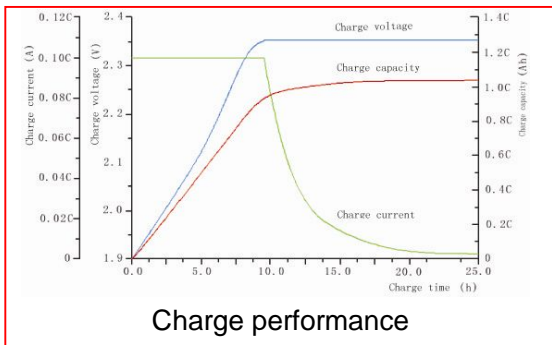


| | | | | |
|-----------------------|---|------------------|-----------------------|-------------------|
| Battery Model | 3GFMG-160 | | | |
| Designed Life | 12 Years | | | |
| Capacity(25°C) | 10HR(16.0A,1.80) | 5HR(27.6A,1.80V) | 3HR(41.15A,1.80V) | 1HR(98.39A,1.75V) |
| | 160AH | 138AH | 123.45AH | 98.39AH |
| Dimensions | Length | Width | Height | Total Height |
| | 278mm | 178mm | 238mm | 258mm |
| Approx. Weight | 30.6kg | | | |
| Internal Resistance | 2.35mΩ for fully charged battery at 25°C Test instrumentation: HIOKI 3551 BATTERY HITESTER | | | |
| Max Discharge Current | 1200A(5 Sec.) | | | |
| Self Discharge | ≤1% per months (25°C) | | | |
| Charge Voltage(25°C) | Cycle use | | Float use | |
| | 2.35V/cell(-3.5mV/°C), max charge current:32A | | 2.25V/cell(-3.5mV/°C) | |

Discharge parameter:

| Constant current discharge data (25°C, A) | | | | | | | | | | | | | | | | | | |
|---|-------|-------|-------|-------|-------|-------|-------|-------|-------|-------|-------|-------|-------|-------|-------|-------|-------|-------|
| End voltage (V/cell) | min | | | | | | | h | | | | | | | | | | |
| | 5 | 10 | 15 | 20 | 30 | 40 | 50 | 1 | 1.5 | 2 | 3 | 4 | 5 | 6 | 7 | 8 | 9 | 10 |
| 1.60 | 482.0 | 390.1 | 318.2 | 261.2 | 187.3 | 162.5 | 123.2 | 107.2 | 88.27 | 72.02 | 44.80 | 36.06 | 28.80 | 25.08 | 22.43 | 20.27 | 18.20 | 16.50 |
| 1.65 | 435.0 | 350.0 | 295.1 | 243.0 | 181.2 | 157.3 | 119.5 | 104.1 | 85.93 | 70.37 | 43.95 | 35.47 | 28.44 | 24.77 | 22.12 | 19.96 | 18.00 | 16.40 |
| 1.70 | 396.2 | 326.0 | 274.4 | 227.8 | 175.3 | 152.2 | 115.9 | 101.1 | 83.58 | 68.61 | 42.91 | 34.83 | 28.18 | 24.51 | 21.86 | 19.70 | 17.82 | 16.30 |
| 1.75 | 361.2 | 300.2 | 252.7 | 213.0 | 169.7 | 147.6 | 112.6 | 98.39 | 81.25 | 66.59 | 42.03 | 34.25 | 27.87 | 24.31 | 21.63 | 19.44 | 17.64 | 16.20 |
| 1.80 | 332.0 | 277.5 | 235.6 | 200.7 | 163.1 | 141.9 | 108.7 | 95.26 | 78.59 | 64.32 | 41.15 | 33.69 | 27.60 | 24.00 | 21.36 | 19.20 | 17.42 | 16.00 |

| Constant power discharge data (25°C, W/cell) | | | | | | | | | | | | | | | | | | |
|--|-------|-------|-------|-------|-------|-------|-------|-------|-------|-------|-------|-------|-------|-------|-------|-------|-------|-------|
| End voltage (V/cell) | min | | | | | | | h | | | | | | | | | | |
| | 5 | 10 | 15 | 20 | 30 | 40 | 50 | 1 | 1.5 | 2 | 3 | 4 | 5 | 6 | 7 | 8 | 9 | 10 |
| 1.60 | 806.0 | 658.0 | 537.0 | 450.0 | 338.6 | 295.5 | 228.2 | 201.2 | 156.3 | 117.9 | 84.26 | 68.97 | 56.50 | 48.50 | 42.85 | 38.16 | 34.52 | 31.57 |
| 1.65 | 760.0 | 624.0 | 517.7 | 434.9 | 330.1 | 288.7 | 224.3 | 198.7 | 154.3 | 116.2 | 83.20 | 68.21 | 56.01 | 48.16 | 42.61 | 38.01 | 34.39 | 31.47 |
| 1.70 | 705.8 | 587.2 | 492.4 | 418.6 | 321.9 | 281.9 | 219.8 | 195.2 | 151.8 | 114.5 | 82.24 | 67.46 | 55.44 | 47.78 | 42.35 | 37.86 | 34.28 | 31.39 |
| 1.75 | 654.7 | 540.0 | 458.0 | 402.5 | 312.0 | 274.0 | 215.4 | 192.4 | 149.4 | 112.5 | 81.38 | 66.68 | 54.70 | 47.37 | 42.02 | 37.61 | 34.11 | 31.29 |
| 1.80 | 591.6 | 496.4 | 432.4 | 386.0 | 301.0 | 265.1 | 210.3 | 189.0 | 146.7 | 110.4 | 80.32 | 65.72 | 53.80 | 46.87 | 41.67 | 37.40 | 33.95 | 31.19 |

Performance Curve:


Address: NO.1 Shengyang Road, Qufu, Shandong 273100 China

Tel: +86-537-4438666-6028

Fax: +86-537-4411936

E-mail: sales@sacredsun.cn

http://www.sacredsun.com