

**Product Features**

- Patent composite grid structure, a smaller plate spacing design which provide high current discharge performance and high power output
- Special wide-low type structure effectively prevent electrolyte stratification;
- Optimization for positive and negative active material ratio, battery has high power ratio;
- ABS containers and covers (FV0 optional)

**Application**

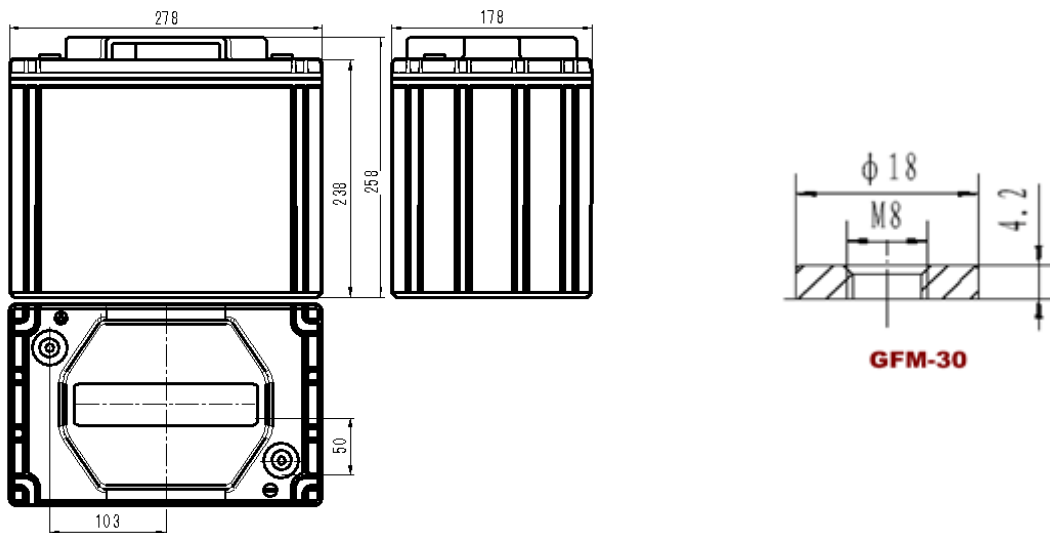
- UPS/EPS;
- Telecom;
- Emergency lighting;
- CATV;
- Energy utility: production, Transport, distribution; switchgear;
- General electronic.

**Compliant Standards**

- GB/T 19638.2-2005
- IEC 60896-21/22: 2004
- Passed ISO9001、ISO14001、OHSAS18001、UL and CE certificate
- Eurobat guide;

**Safety**

- installation compliant with:EN50272-2

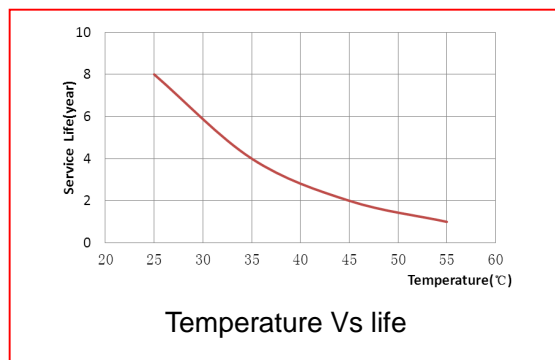
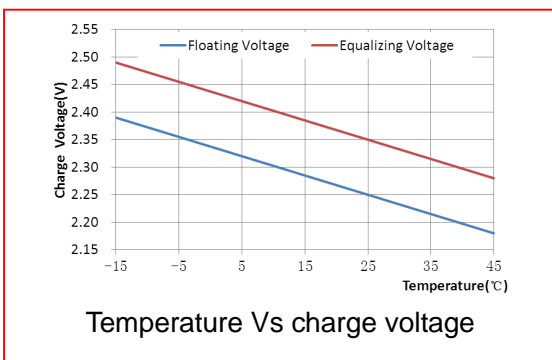
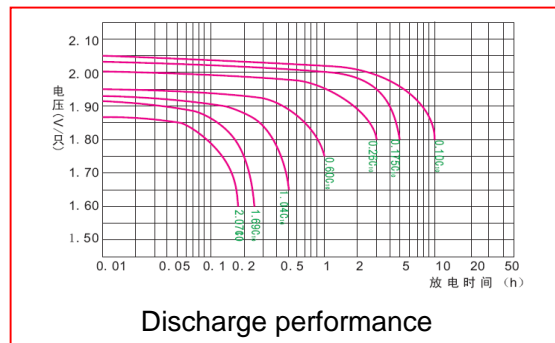
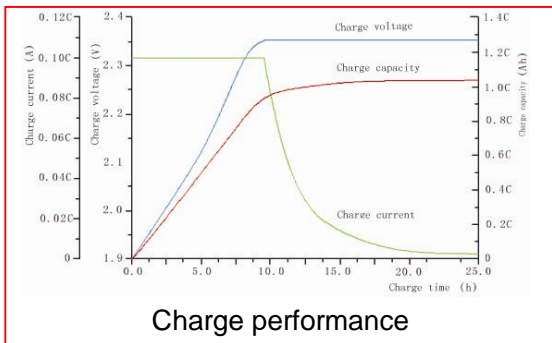


Battery Model	3GFMG-125			
Designed Life	12 Years			
Capacity(25°C)	10HR(12.5A,1.80V)	5HR(21.56A,1.80V)	3HR(32.15A,1.80V)	1HR(76.87A,1.75V)
	125AH	107.8AH	96.45AH	76.87AH
Dimensions	Length	Width	Height	Total Height
	278mm	178mm	238mm	258mm
Approx. Weight	25.5kg			
Internal Resistance	2.63mΩ for fully charged battery at 25°C Test instrumentation: HIOKI 3551 BATTERY HITESTER			
Max Discharge Current	1000A(5 Sec.)			
Self Discharge	≤1% per months (25°C)			
Charge Voltage(25°C)	Cycle use		Float use	
	2.35V/cell(-3.5mV/°C), max charge current:25A		2.25V/cell(-3.5mV/°C)	

**Discharge parameter:**

Constant current discharge data (25°C, A)																		
End voltage (V/cell)	min							h										
	5	10	15	20	30	40	50	1	1.5	2	3	4	5	6	7	8	9	10
1.60	376.6	304.8	248.6	204.0	146.3	127.0	96.3	83.76	68.96	56.27	35.00	28.18	22.50	19.59	17.52	15.84	14.22	12.89
1.65	339.8	273.4	230.6	189.8	141.5	122.9	93.4	81.33	67.13	54.98	34.34	27.71	22.22	19.35	17.28	15.59	14.06	12.81
1.70	309.5	254.7	214.4	178.0	136.9	118.9	90.5	78.98	65.30	53.60	33.52	27.21	22.02	19.15	17.08	15.39	13.92	12.73
1.75	282.2	234.5	197.4	166.4	132.6	115.3	88.0	76.87	63.48	52.02	32.84	26.76	21.77	18.99	16.90	15.19	13.78	12.66
1.80	259.4	216.8	184.0	156.8	127.4	110.9	84.9	74.42	61.40	50.25	32.15	26.32	21.56	18.75	16.69	15.00	13.61	12.50

Constant power discharge data (25°C, W/cell)																		
End voltage (V/cell)	min							h										
	5	10	15	20	30	40	50	1	1.5	2	3	4	5	6	7	8	9	10
1.60	629.7	514.1	419.5	351.6	264.5	230.8	178.2	157.2	122.1	92.08	65.83	53.88	44.14	37.89	33.48	29.81	26.97	24.66
1.65	593.8	487.5	404.4	339.7	257.9	225.6	175.2	155.2	120.5	90.80	65.00	53.29	43.76	37.63	33.29	29.70	26.87	24.59
1.70	551.4	458.8	384.7	327.0	251.5	220.2	171.7	152.5	118.6	89.46	64.25	52.71	43.31	37.33	33.09	29.58	26.78	24.52
1.75	511.5	421.9	357.8	314.5	243.8	214.1	168.2	150.3	116.7	87.89	63.58	52.09	42.73	37.01	32.83	29.38	26.64	24.45
1.80	462.2	387.8	337.8	301.6	235.2	207.1	164.3	147.7	114.6	86.25	62.75	51.34	42.03	36.62	32.56	29.22	26.53	24.37

**Performance Curve:**


Address: NO.1 Shengyang Road, Qufu, Shandong 273100 China

Tel: +86-537-4438666-6028

Fax: +86-537-4411936

E-mail: sales@sacredsun.cn

http://www.sacredsun.com